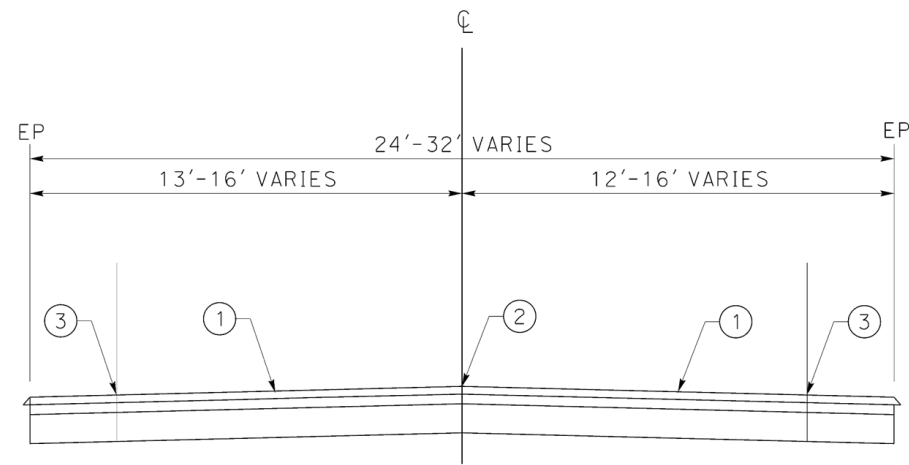


RUMBLE STRIP DETAIL






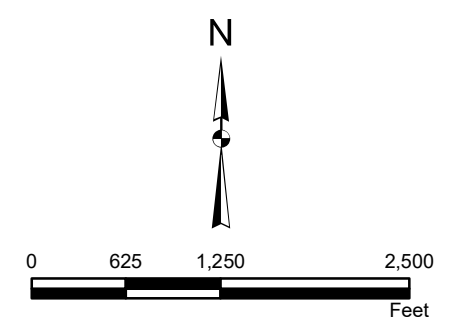
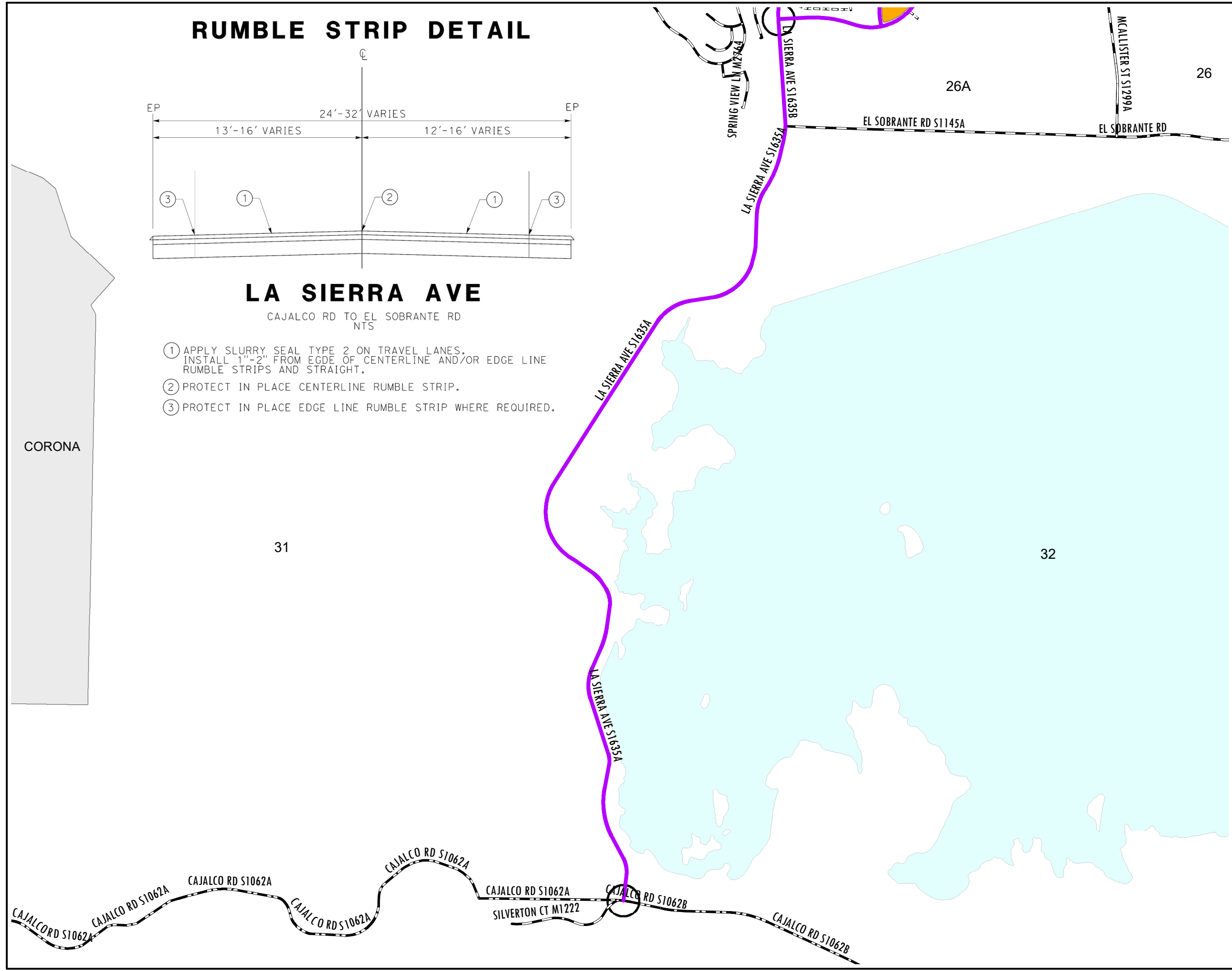
LA SIERRA AVE

CAJALCO RD TO EL SOBRANTE RD
NTS

- ① APPLY SLURRY SEAL TYPE 2 ON TRAVEL LANES. INSTALL 1"-2" FROM EDGE OF CENTERLINE AND/OR EDGE LINE RUMBLE STRIPS AND STRAIGHT.
- ② PROTECT IN PLACE CENTERLINE RUMBLE STRIP.
- ③ PROTECT IN PLACE EDGE LINE RUMBLE STRIP WHERE REQUIRED.

**Slurry Seal Project
FY 2024-2025**

-  Slurry Seal Type II
-  School Site Parcels
-  Maintained Traffic Signals



MD 11	SD 2
ROADBOOK PAGE No.	SHEET No.
31	SHEET 9 OF 24

ISSUED BY ADDENDUM No. 1, ATTACHMENT "C"