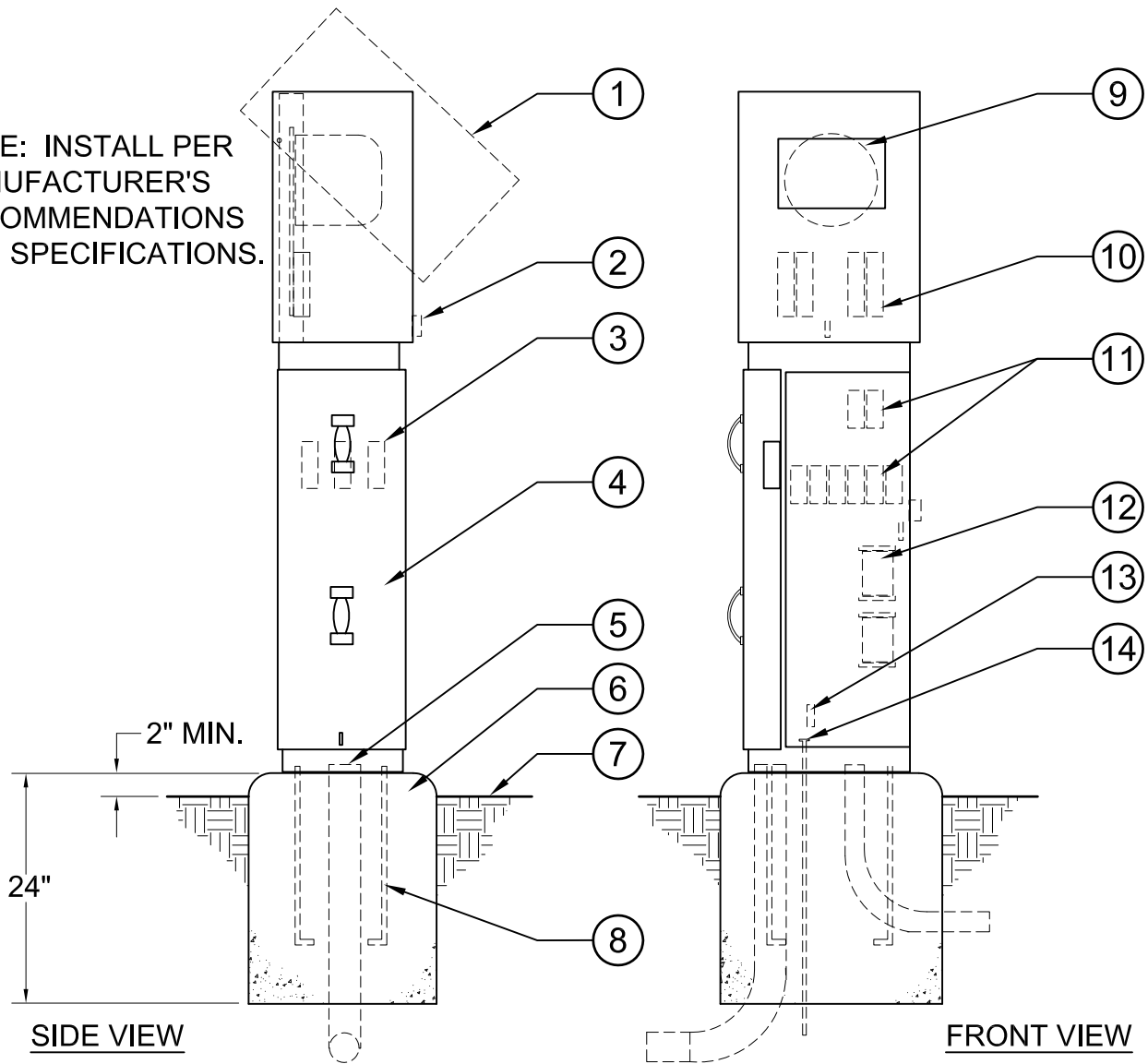



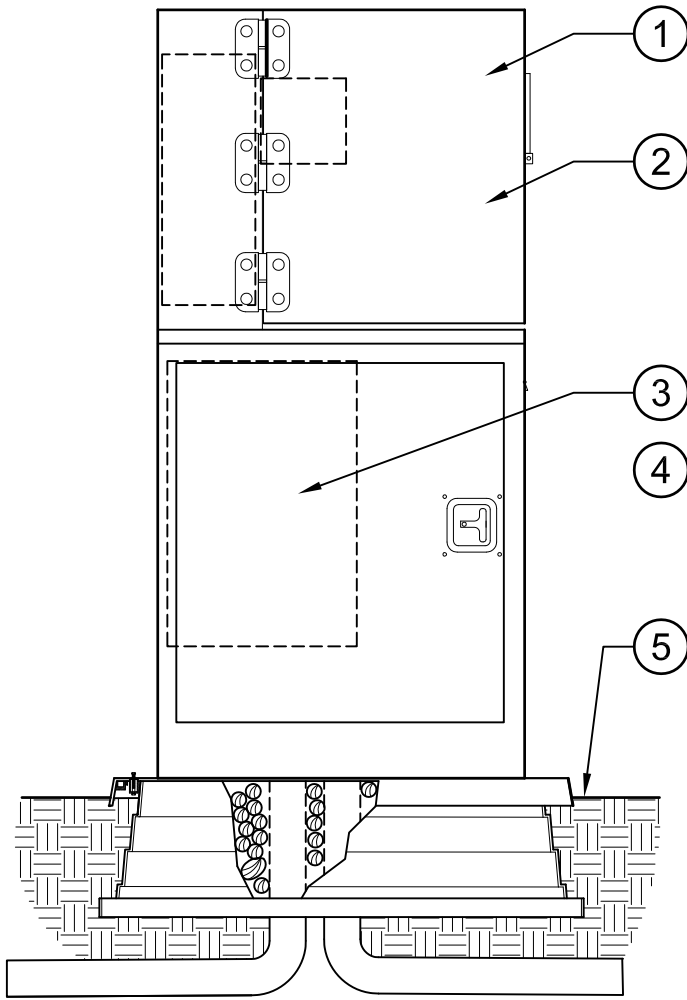


NOTE: INSTALL PER MANUFACTURER'S RECOMMENDATIONS AND SPECIFICATIONS.

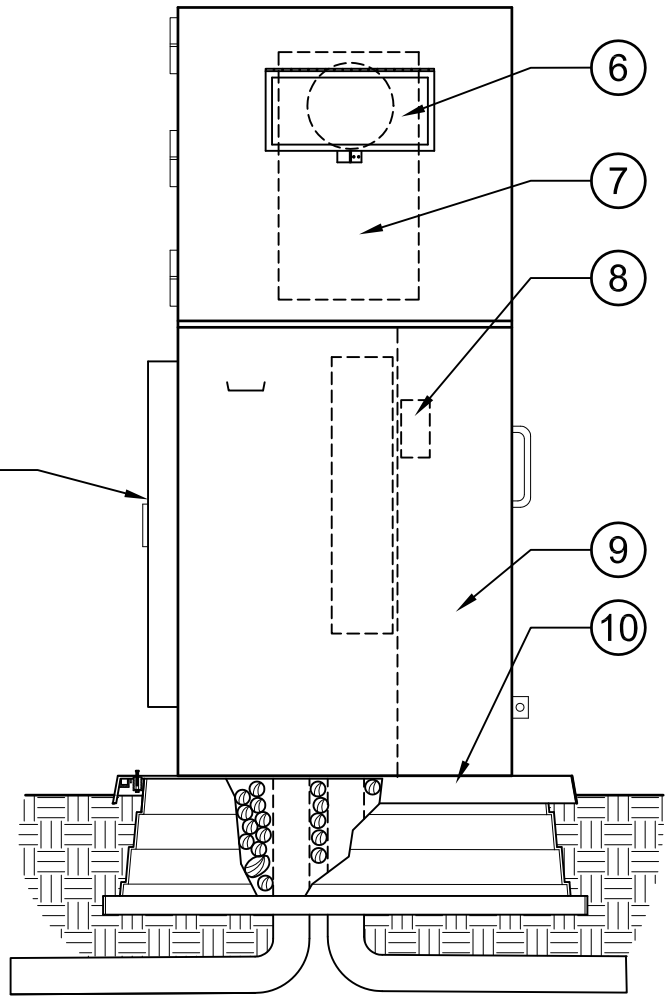


- ① METERED ENCLOSURE
- ② PADLOCK HASP
- ③ LANDING LUGS
- ④ UTILITY DOOR
- ⑤ SERVICE CONDUIT / LOAD CONDUIT
- ⑥ CONCRETE FOUNDATION
- ⑦ FINISH GRADE
- ⑧ GALVANIZED ANCHOR BOLT 5/8" x 18" x 4" WITH 90 DEGREE BEND (4 REQUIRED)
- ⑨ READING COVER AND METER SOCKET
- ⑩ TEST BYPASS BLOCKS
- ⑪ MAIN BREAKER / BRANCH CIRCUIT BREAKERS
- ⑫ CONTACTORS
- ⑬ GROUNDING LUG
- ⑭ GROUNDING ROD

	RIVERSIDE COUNTY TLMA: PLANNING AND TRANSPORTATION DEPARTMENTS		DATE: 02-05-13
	ELECTRICAL PEDESTAL		
	OPTION #1	APPROVED BY: MPH	
STD. E-001	1"=1'-0"	REV:	



SIDE VIEW



FRONT VIEW

- ① METERED ENCLOSURE
- ② HINGED REMOVABLE LID
- ③ LOAD CENTER
- ④ LOAD CENTER COMPARTMENT
- ⑤ FINISH GRADE
- ⑥ METER VIEWING WINDOW
- ⑦ METER SOCKET WITH TEST BLOCKS
- ⑧ LANDING LUGS
- ⑨ LANDING LUG COMPARTMENT
- ⑩ QUICK PAD

NOTE: INSTALL PER MANUFACTURER'S RECOMMENDATIONS AND SPECIFICATIONS.



RIVERSIDE COUNTY TLMA: PLANNING AND TRANSPORTATION DEPARTMENTS

DATE: 02-05-13

ELECTRICAL PEDESTAL

OPTION #2

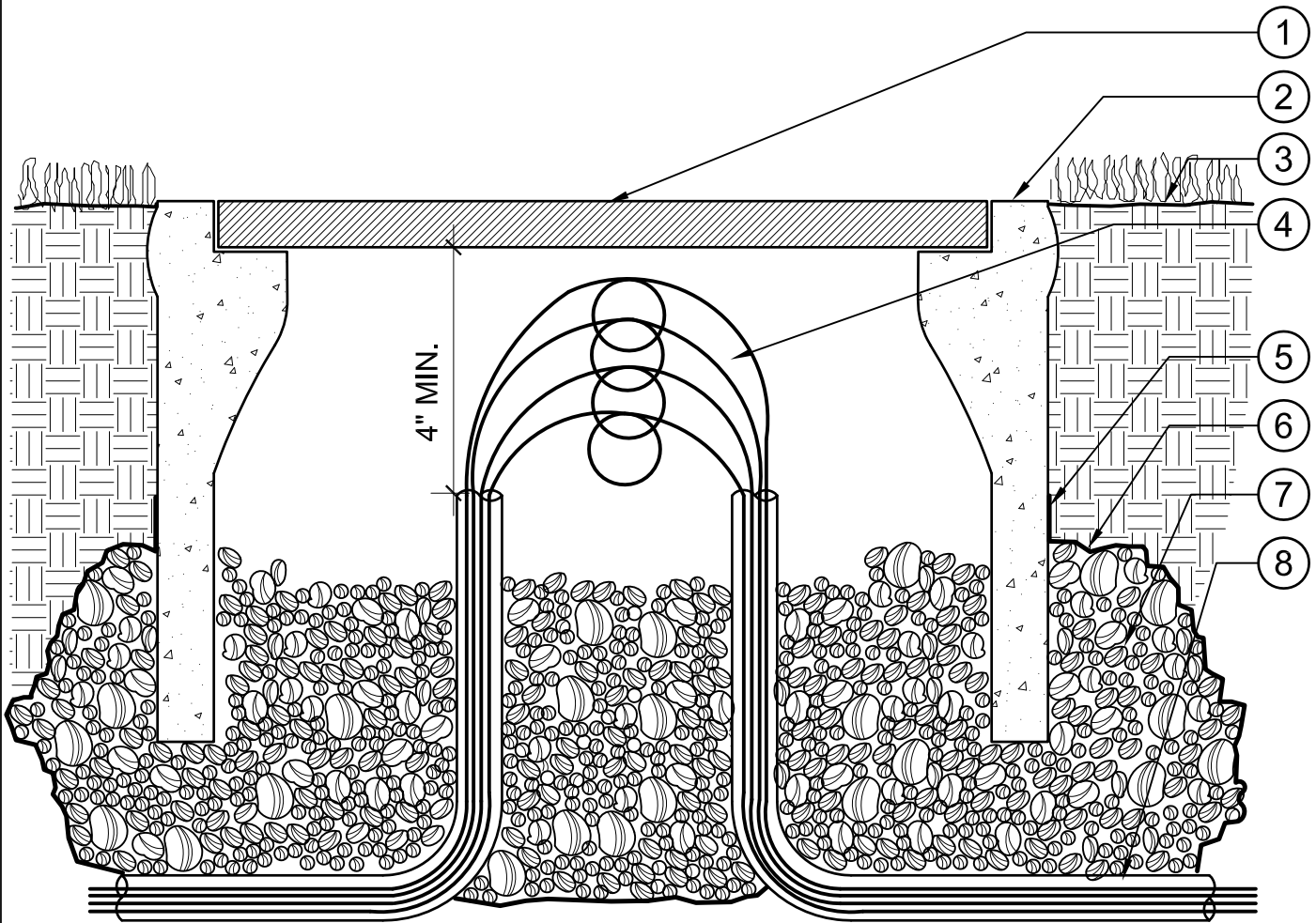
APPROVED BY: MPH

STD. E-002

1"=1'-0"

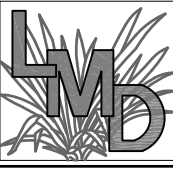


REV:





- ① TIER 15 RECTANGULAR POLYMER CONCRETE BOX W/ POLYMER CONCRETE BOLT DOWN COVER
- ② TOP OF BOX FLUSH WITH GRADE IN TURF AREAS; 2" ABOVE GRADE IN SHRUB AREAS
- ③ FINISH GRADE
- ④ LOW VOLTAGE ELECTRICAL WIRES
- ⑤ ATTACH FABRIC TO VALVE BOX WITH DUCT TAPE
- ⑥ INSTALL FILTER FABRIC AROUND GRAVEL SUMP
- ⑦ 3/4" GRAVEL SUMP IN, UNDER, AND AROUND VALVE BOX. FILL TO TOP OF VALVE BOX HOLES
- ⑧ 1" OR LARGER PVC ELECTRICAL CONDUIT

NOTE:
 DO NOT CUT / SPLICE WIRES. MUST MEET ANSI/SCTE 77-2007 AND ALL APPLICABLE NATIONAL ELECTRIC CODES.
 SEE PLANS FOR PULL BOX SPACING.

	RIVERSIDE COUNTY TLMA: PLANNING AND TRANSPORTATION DEPARTMENTS		DATE: 02-05-13
	LINE VOLTAGE ELECTRICAL PULL BOX		
	FOR 120 / 240 VAC	APPROVED BY: MPH	 
3"=1'-0"	REV:		