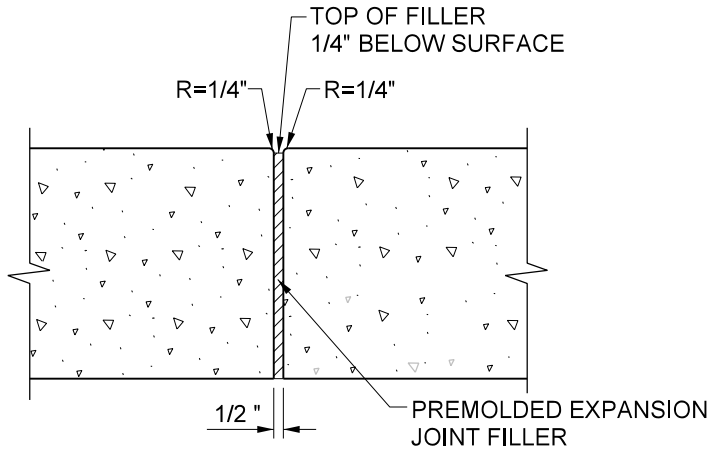
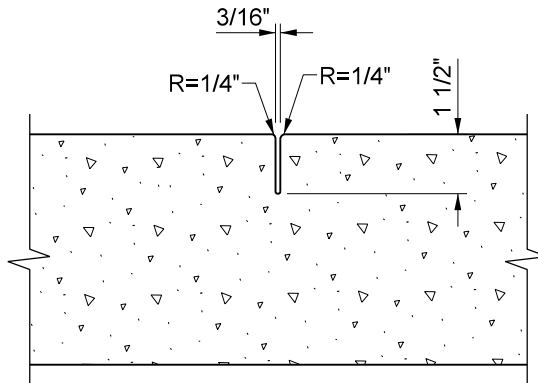


**TYPICAL PLAN VIEW**



**SECTION "A-A"  
EXPANSION JOINT**

EXPANSION JOINTS TO BE INSTALLED AT 50' INTERVALS AND AT ALL BC'S, EC'S, CURB RETURNS, AND STRUCTURES.



**SECTION "B-B"  
WEAKENED PLANE JOINT**

10' INTERVAL BETWEEN TRANSVERSE JOINTS MAY BE VARIED TO ALLOW MATCHING OF JOINTS IN ADJACENT EXISTING IMPROVEMENTS.

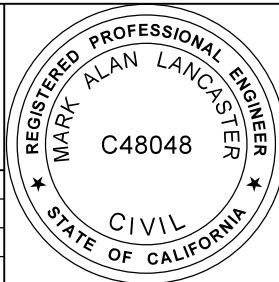
NOT TO SCALE

PREPARED UNDER THE SUPERVISION OF:

*Mark Lancaster*

11/30/22  
DATE

DIRECTOR OF TRANSPORTATION  
MARK LANCASTER, P.E.



COUNTY OF RIVERSIDE

**CURB AND  
GUTTER JOINTS**

**STANDARD No. 205**

REVISION	DESCRIPTION	MARK	DATE	APPROVED