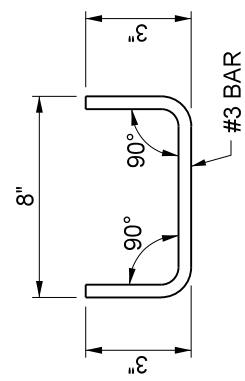
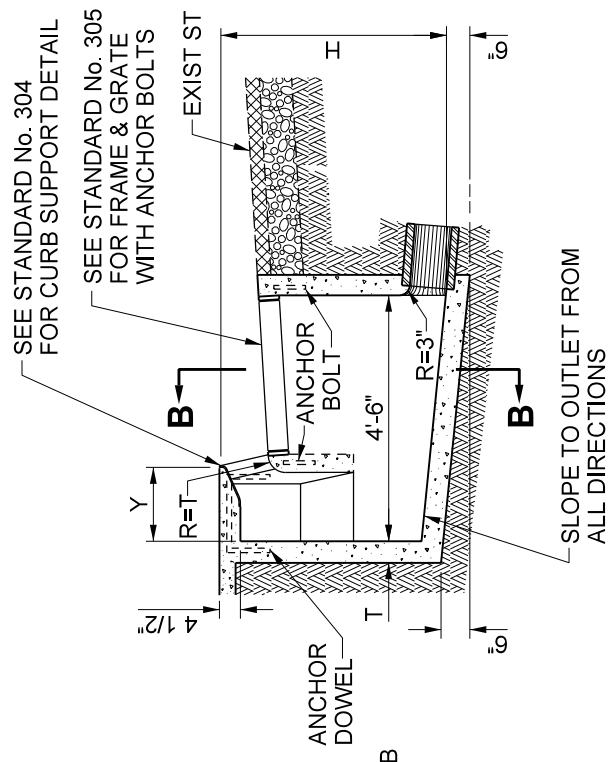


THE OUTER EDGES OF THE WALLS SHALL CONFORM TO THE STREET OR LOCAL DEPRESSION SURFACE. THE GRATE SHALL BE LAID IN THE PLANE OF THIS SURFACE, SEE STANDARD No. 312 CASE B FOR GUTTER DEPRESSION.

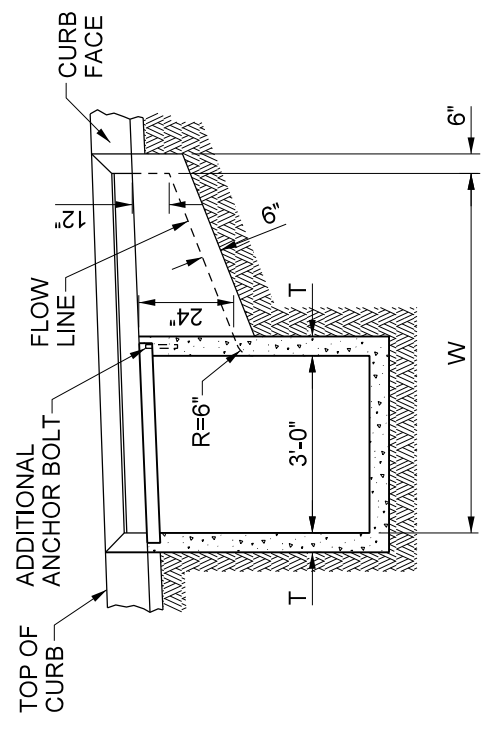
PLAN



DETAIL OF DOWEL



SECTION "A-A"



SECTION "B-B"

NOT TO SCALE

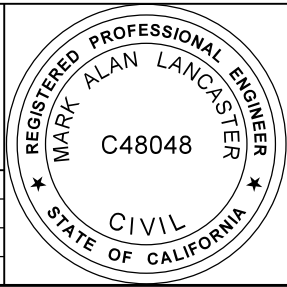
FOR NOTES SEE SHEET 2

PREPARED UNDER THE SUPERVISION OF:

Mark Lancaster

11/30/22
DATE

DIRECTOR OF TRANSPORTATION
MARK LANCASTER, P.E.



COUNTY OF RIVERSIDE

**COMBINATION INLET
CATCH BASIN No. 1**

STANDARD No. 301 (1 OF 2)

REVISION	DESCRIPTION	MARK	DATE	APPROVED

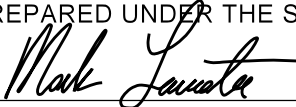
NOTES:

1. DIMENSIONS UNLESS OTHERWISE SPECIFIED *

Y	W	T	H
2'-3"	7'*	6"*	4'-6"*
		6"	5' OR LESS
		8"	5' TO 8'
		10"	8' OR GREATER

2. CONCRETE MINIMUM CEMENTITIOUS MATERIAL CONTENT = 590 LB / CU YD.
3. THE REINFORCING STEEL SHALL BE NUMBER 4 DEFORMED BARS. CLEARANCE SHALL BE 1 1/2" FROM THE BOTTOM OF THE SLAB.
4. THE SURFACE OF ALL EXPOSED CONCRETE SHALL CONFORM TO SLOPE, GRADE, COLOR, FINISH, AND SCORE IN THE EXISTING OR PROPOSED CURB AND WALK ADJACENT TO THE BASIN. THE BASIN FLOOR SHALL BE GIVEN A TIGHT WOOD FLOAT FINISH. CURVATURE OF THE LIP AND SIDEWALLS AT THE GUTTER OPENING SHALL NOT BE MADE BY PLASTERING. THE OUTLET PIPE SHALL BE TRIMMED TO FINAL SHAPE AND LENGTH BEFORE THE CONCRETE IS POURED.
5. 3/4 INCH PLAIN ROUND HOT-DIP GALVANIZED STEEL STEPS 16" WIDE (ALHAMBRA FDY. A-3325 OR EQUAL) ARE REQUIRED AS FOLLOWS:
 - a. IF H IS 3.5 FEET OR LESS, NO STEPS ARE REQUIRED.
 - b. IF H IS MORE THAN 3.5 FEET, AND NOT MORE THAN 5 FEET, INSTALL 1 STEP 16" ABOVE FLOOR OF THE BASIN.
 - c. IF H IS MORE THAN 5 FEET, INSTALL STEPS 12 INCHES APART, WITH THE TOP STEP 6 INCHES BELOW THE SURFACE OF THE BASIN.
 - d. ALL STEPS SHALL BE 4 INCHES FROM THE WALL, EXCEPT THE TOP STEP, WHICH SHALL BE 2 1/2 INCHES (CLEAR) FROM THE WALL, AND ANCHORED NOT LESS THAN 5 INCHES INTO THE WALL OF THE BASIN.
6. WHEN ABUTTING SOIL HAS A HIGH SULFATE CONTENT, USE A MODIFIED CONCRETE MIX AND PLACE 6" MIN CLASS 2 AGGREGATE BASE AND 6 MIL PLASTIC SHEETING UNDER AND AROUND ALL SIDES OF CONCRETE IMPROVEMENTS. FOR EXPANSIVE SOIL, PLACE 6" MIN CLASS 2 AGGREGATE BASE UNDER CONCRETE IMPROVEMENTS AS DIRECTED BY THE ENGINEER. SEE SPECIFICATIONS SECTIONS 16.03 & 16.04 AND STANDARD No. 401 FOR REFERENCE.
7. CATCH BASINS, GRATES AND LOCAL DEPRESSIONS MAY NOT BE PLACED WITHIN PEDESTRIAN STREET CROSSINGS. BICYCLE FRIENDLY GRATES SHALL BE USED IN BIKE LANES AND WITHIN ROADBED.

NOT TO SCALE

PREPARED UNDER THE SUPERVISION OF:			
			11/30/22
DIRECTOR OF TRANSPORTATION MARK LANCASTER, P.E.			DATE
REVISION	DESCRIPTION	MARK	DATE APPROVED



COUNTY OF RIVERSIDE
COMBINATION INLET CATCH BASIN No. 1
STANDARD No. 301 (2 OF 2)