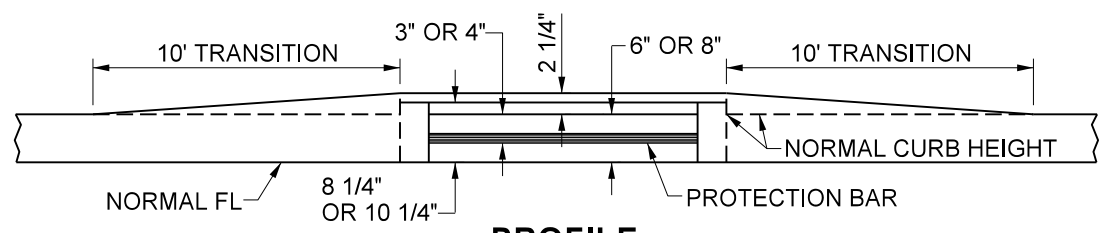


NOTE:
 USE 4' WIDE CHECKERED PLATE CUT TO CORRECT DIMENSIONS. THEN CONSTRUCT FRAME TO FIT PLATE AND FASTEN WITH AN INTERMITTENT WELD.

SCHMATIC PLAN VIEW



PROFILE

NOT TO SCALE

FOR NOTES SEE SHEET 2

PREPARED UNDER THE SUPERVISION OF:

Mark Lancaster 11/30/22
 DIRECTOR OF TRANSPORTATION DATE
 MARK LANCASTER, P.E.

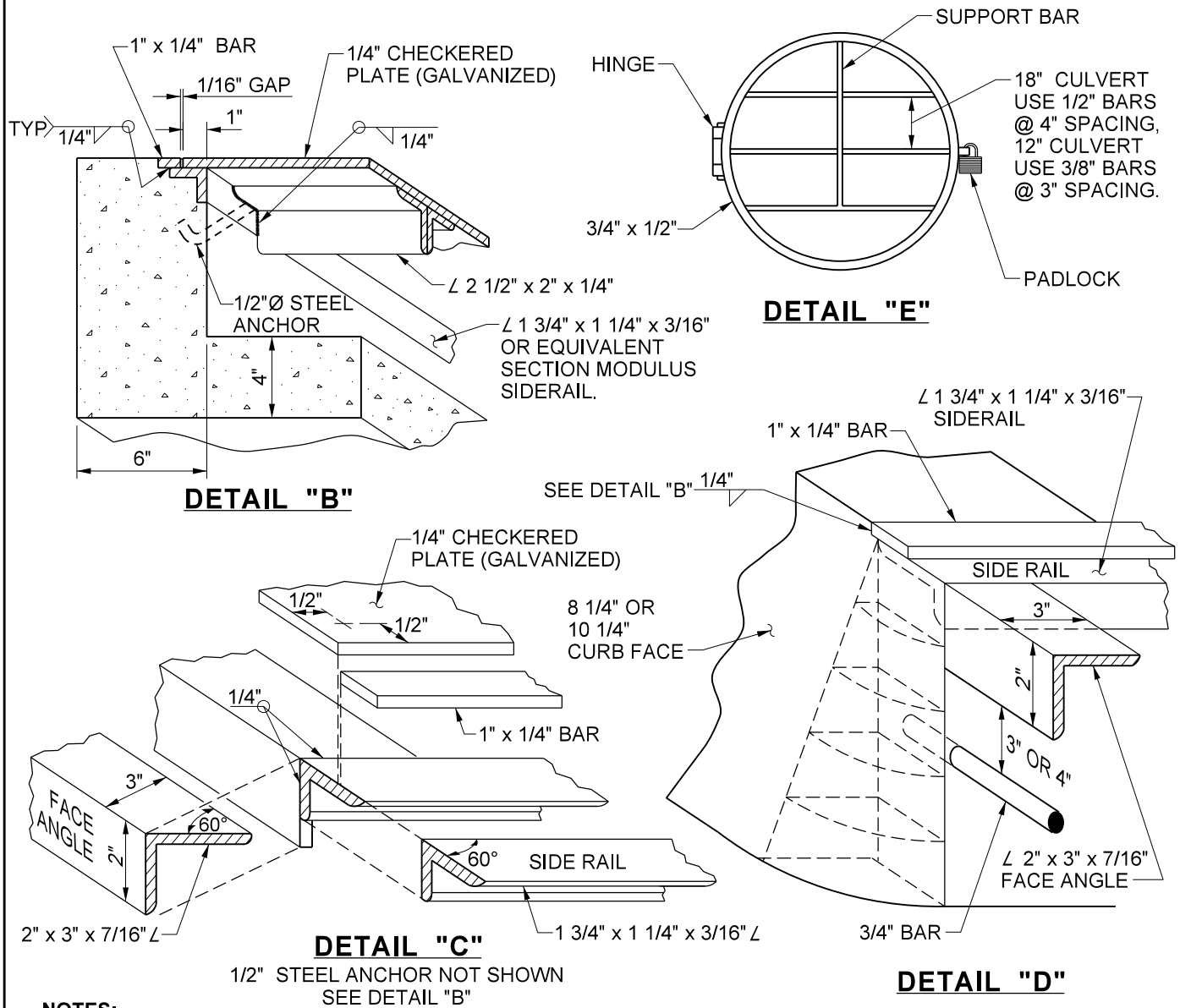
REVISION	DESCRIPTION	MARK	DATE	APPROVED



COUNTY OF RIVERSIDE

FLAT OUTLET DRAINAGE STRUCTURE

STANDARD No. 303 (1 OF 2)



NOTES:

1. FRAME AND GRATE SHALL BE CONSTRUCTED TO STANDARD SPECIFICATIONS OR OF EQUIVALENT STRUCTURAL STRENGTH AND WELDED TOGETHER WITH A 1/4" INTERMITTENT WELD AT ALL BREAKS, SEAMS, SECTIONS, JOINTS, ETC.
2. THE 1/4" CHECKERED PLATE SHALL BE FASTENED TO THE FRAME WITH AN INTERMITTENT WELD.
3. GRATE SHALL BE CONSTRUCTED TO STANDARD SPECIFICATIONS, WELDED AT ALL BREAKS, SECTIONS, ETC., HINGED TO DRAINAGE PIPE, AND SECURED WITH PADLOCK. GRATE NOT REQUIRED FOR CULVERTS SMALLER THAN 12".
4. WHEN ABUTTING SOIL HAS A HIGH SULFATE CONTENT, USE A MODIFIED CONCRETE MIX AND PLACE 6" MIN CLASS 2 AGGREGATE BASE AND 6 MIL PLASTIC SHEETING UNDER AND AROUND ALL SIDES OF CONCRETE IMPROVEMENTS. FOR EXPANSIVE SOIL, PLACE 6" MIN CLASS 2 AGGREGATE BASE UNDER CONCRETE IMPROVEMENTS AS DIRECTED BY THE ENGINEER. SEE SPECIFICATIONS SECTIONS 16.03 & 16.04 AND STANDARD No. 401 FOR REFERENCE.
5. ALL METAL SHALL BE HOT DIPPED GALVANIZED.
6. CONCRETE MINIMUM CEMENTITIOUS MATERIAL CONTENT = 590 LB / CU YD.

NOT TO SCALE

PREPARED UNDER THE SUPERVISION OF:

Mark Lancaster 11/30/22
DATE

DIRECTOR OF TRANSPORTATION
MARK LANCASTER, P.E.

REVISION	DESCRIPTION	MARK	DATE	APPROVED



COUNTY OF RIVERSIDE

FLAT OUTLET DRAINAGE STRUCTURE

STANDARD No. 303 (2 OF 2)