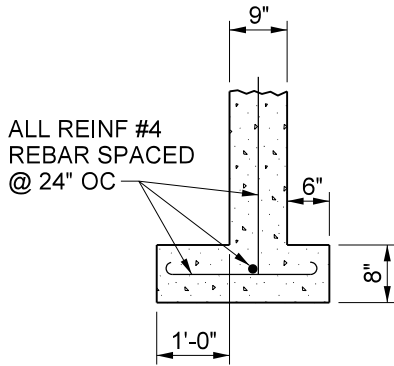
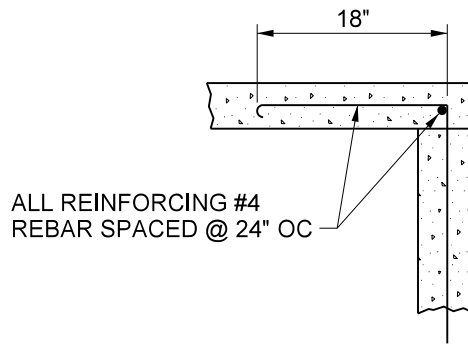


**TYPICAL DIP SECTION**  
 LONGITUDINAL LIMITS TO ACCOMMODATE 100 YEAR STORM  
 UNLESS OTHERWISE DIRECTED



**FOOTING DETAIL**  
 FOOTING AND DEPTH  
 OF CUT-OFF WALL TO  
 BE DETERMINED BY  
 SOIL INVESTIGATION.



**DETAIL "A"**

**NOTES:**

1. WHEN ABUTTING SOIL HAS A HIGH SULFATE CONTENT, USE A MODIFIED CONCRETE MIX AND PLACE 6" MIN CLASS 2 AGGREGATE BASE AND 6 MIL PLASTIC SHEETING UNDER AND AROUND ALL SIDES OF CONCRETE IMPROVEMENTS. FOR EXPANSIVE SOIL, PLACE 6" MIN CLASS 2 AGGREGATE BASE UNDER CONCRETE IMPROVEMENTS AS DIRECTED BY THE ENGINEER. SEE SPECIFICATIONS SECTIONS 16.03 & 16.04 AND STANDARD No. 401 FOR REFERENCE.
2. REINFORCING FOR PCC PAVEMENT TO CONSIST OF 6" x 6" x 10 GAUGE WIRE MESH.
3. CONCRETE MINIMUM CEMENTITIOUS MATERIAL CONTENT = 590 LB / CU YD.

NOT TO SCALE

PREPARED UNDER THE SUPERVISION OF:			
<i>Mark Lancaster</i>			11/30/22
DIRECTOR OF TRANSPORTATION			DATE
MARK LANCASTER, P.E.			
REVISION	DESCRIPTION	MARK	DATE



COUNTY OF RIVERSIDE
<b>PCC DIP SECTION</b>
<b>STANDARD No. 307</b>