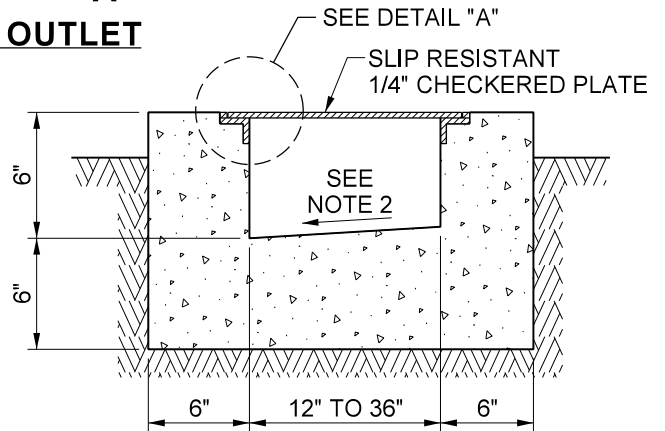
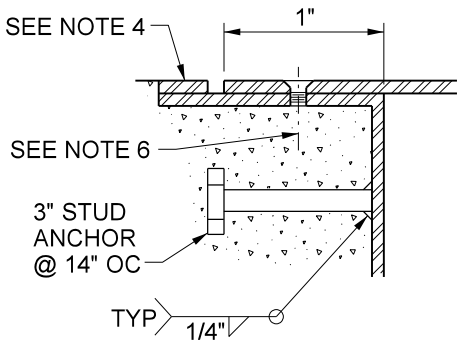


SECTION "A-A"

DRAIN OUTLET



SECTION "B-B"



DETAIL "A"

NOTES:

1. UNDER SIDEWALK DRAIN TO BE CONSTRUCTED PERPENDICULAR (90°) TO THE CURB ALIGNMENT. VARIATIONS FROM 90° REQUIRE THE APPROVAL OF THE DIRECTOR OF TRANSPORTATION.
2. SLOPE TO DRAIN TO ONE SIDE.
3. ALL EXPOSED METAL PARTS TO BE HOT-DIP GALVANIZED AFTER FABRICATION.
4. 1 1/2" x 1 1/2" x 1/4" "L" FRAME WITH 3/8" x 1/4" STEEL STRIP WELDED TO FRAME.
5. CHECKERED PLATE SHALL BE SLIP RESISTANT HOT-DIP GALVANIZED STEEL, MAXIMUM WIDTH 36".
6. FASTEN WITH 1/4" COARSE-THREAD COUNTERSINK STAINLESS STEEL SCREWS AT 12" OC.
7. WHEN ABUTTING SOIL HAS A HIGH SULFATE CONTENT, USE A MODIFIED CONCRETE MIX AND PLACE 6" MIN CLASS 2 AGGREGATE BASE AND 6 MIL PLASTIC SHEETING UNDER AND AROUND ALL SIDES OF CONCRETE IMPROVEMENTS. FOR EXPANSIVE SOIL, PLACE 6" MIN CLASS 2 AGGREGATE BASE UNDER CONCRETE IMPROVEMENTS AS DIRECTED BY THE ENGINEER. SEE SPECIFICATIONS SECTIONS 16.03 & 16.04 AND STANDARD No. 401 FOR REFERENCE.
8. CONCRETE MINIMUM CEMENTITIOUS MATERIAL CONTENT = 505 LB / CU YD.

NOT TO SCALE

PREPARED UNDER THE SUPERVISION OF:			
<i>Mark Lancaster</i>		11/30/22	
DIRECTOR OF TRANSPORTATION		DATE	
MARK LANCASTER, P.E.			
REVISION	DESCRIPTION	MARK	APPROVED



COUNTY OF RIVERSIDE
UNDER SIDEWALK DRAIN CAST IN PLACE
STANDARD No. 309