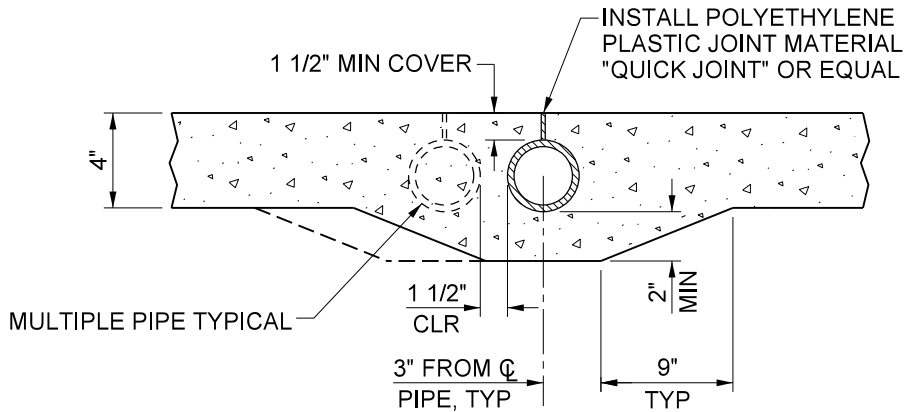


ELEVATION



SECTION "A-A"

CONCRETE MINIMUM CEMENTITIOUS MATERIAL CONTENT = 505 LB / CU YD

NOT TO SCALE

PREPARED UNDER THE SUPERVISION OF:

Mark Lancaster

11/30/22
DATE

DIRECTOR OF TRANSPORTATION
MARK LANCASTER, P.E.



COUNTY OF RIVERSIDE

**PRIVATE DRAIN
THROUGH CURB**

STANDARD No. 310

REVISION	DESCRIPTION	MARK	DATE	APPROVED