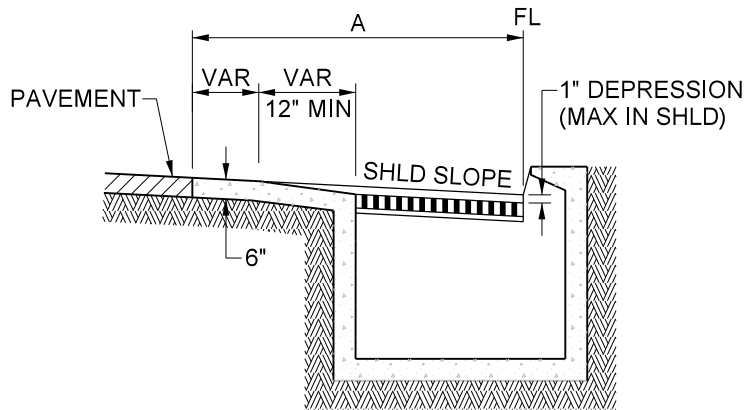


CASE "A"



SECTION "D-D"

NOTES:

1. GUTTER DEPRESSION SHALL BE:
 (A) CASE "A" SEE STANDARD No. 302 COMBINATION CATCH BASIN, UNLESS OTHERWISE SPECIFIED.
 (B) CASE "B" SEE STANDARD No. 301 COMBINATION INLET CATCH BASIN, UNLESS OTHERWISE SPECIFIED.
2. ELEVATIONS AT OUTER CORNERS SHOWN ON THE PROJECT DRAWINGS. IF NO ELEVATIONS ARE SPECIFIED THE OUTER EDGE OF THE GUTTER DEPRESSION SHALL CONFORM TO THE FINISHED STREET SURFACE.
3. A = 4' UNLESS OTHERWISE SPECIFIED
 T = SEE STANDARD No. 302 DIMENSIONS
 W = SEE STANDARD No. 302 DIMENSIONS
4. WHERE NO CURB EXISTS, CURB SHALL BE CONSTRUCTED BETWEEN ENDS OF GUTTER DEPRESSION. CURB SECTION SHALL CONFORM TO THAT OF CONTROLLING AGENCY.
5. DEPRESSION SHALL BE CONCRETE WITH MINIMUM CEMENTITIOUS MATERIAL CONTENT = 505 LB / CU YD.
6. WHEN ABUTTING SOIL HAS A HIGH SULFATE CONTENT, USE A MODIFIED CONCRETE MIX AND PLACE 6" MIN CLASS 2 AGGREGATE BASE AND 6 MIL PLASTIC SHEETING UNDER AND AROUND ALL SIDES OF CONCRETE IMPROVEMENTS. FOR EXPANSIVE SOIL, PLACE 6" MIN CLASS 2 AGGREGATE BASE UNDER CONCRETE IMPROVEMENTS AS DIRECTED BY THE ENGINEER. SEE SPECIFICATIONS SECTIONS 16.03 & 16.04 AND STANDARD No. 401 FOR REFERENCE.

NOT TO SCALE

PREPARED UNDER THE SUPERVISION OF:

Mark Lancaster

11/30/22
DATE

DIRECTOR OF TRANSPORTATION
MARK LANCASTER, P.E.

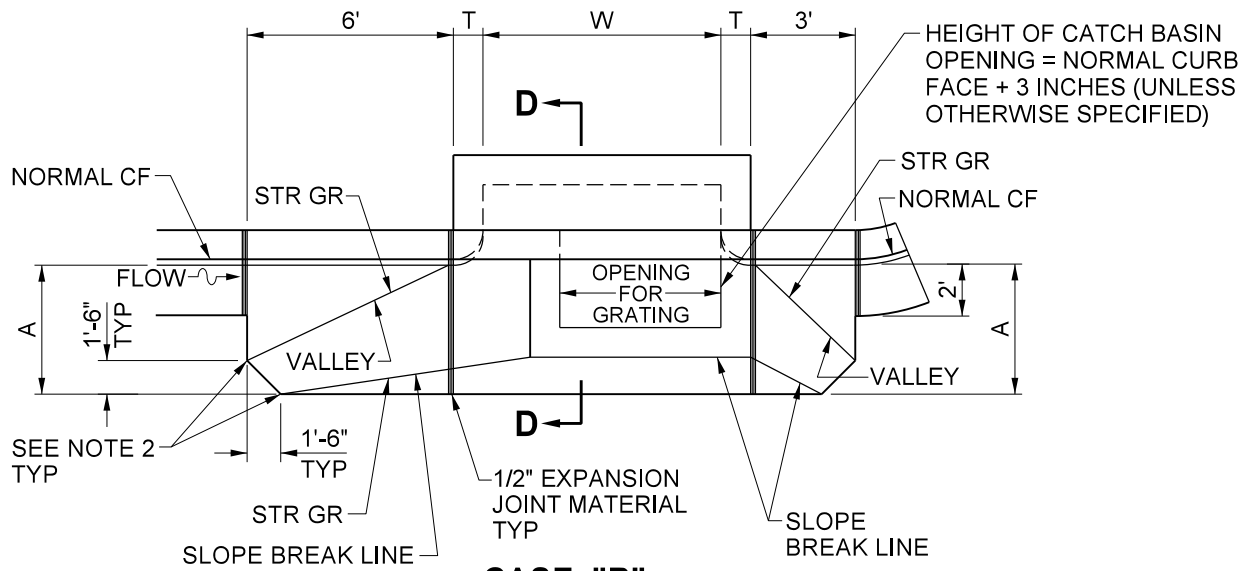


COUNTY OF RIVERSIDE

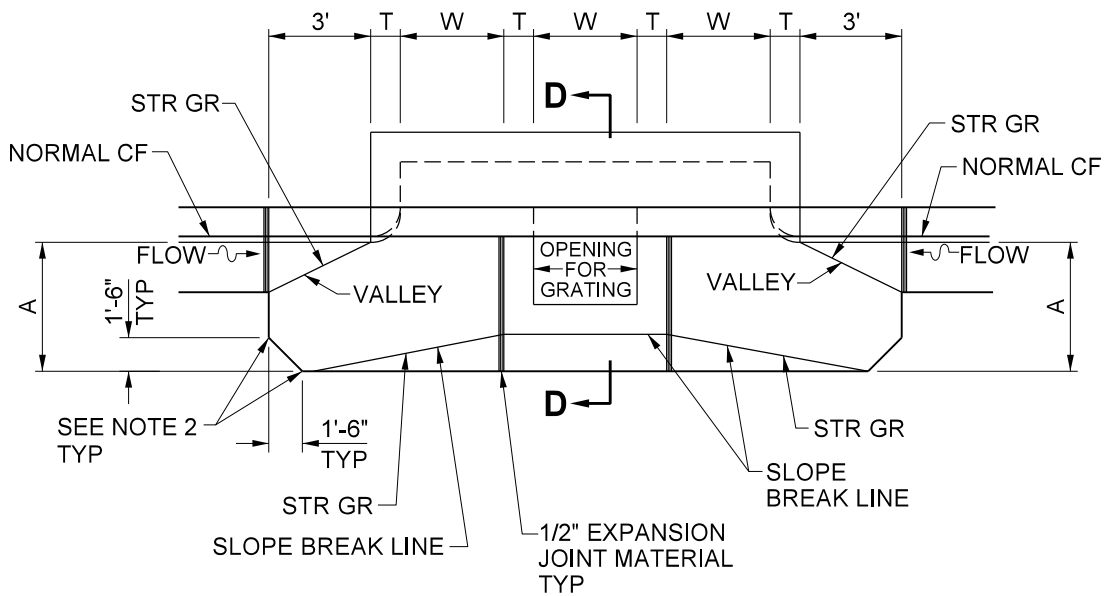
**GUTTER DEPRESSION
FOR GRATE OPENING
CATCH BASIN**

STANDARD No. 312 (1 OF 2)

REVISION	DESCRIPTION	MARK	DATE	APPROVED



CASE "B"



CASE "C"

NOT TO SCALE

FOR NOTES & SECTION D-D SEE SHEET 1

PREPARED UNDER THE SUPERVISION OF:

Mark Lancaster

11/30/22
DATE

DIRECTOR OF TRANSPORTATION
MARK LANCASTER, P.E.



COUNTY OF RIVERSIDE

**GUTTER DEPRESSION
FOR GRATE OPENING
CATCH BASIN**

STANDARD No. 312 (2 OF 2)

REVISION	DESCRIPTION	MARK	DATE	APPROVED