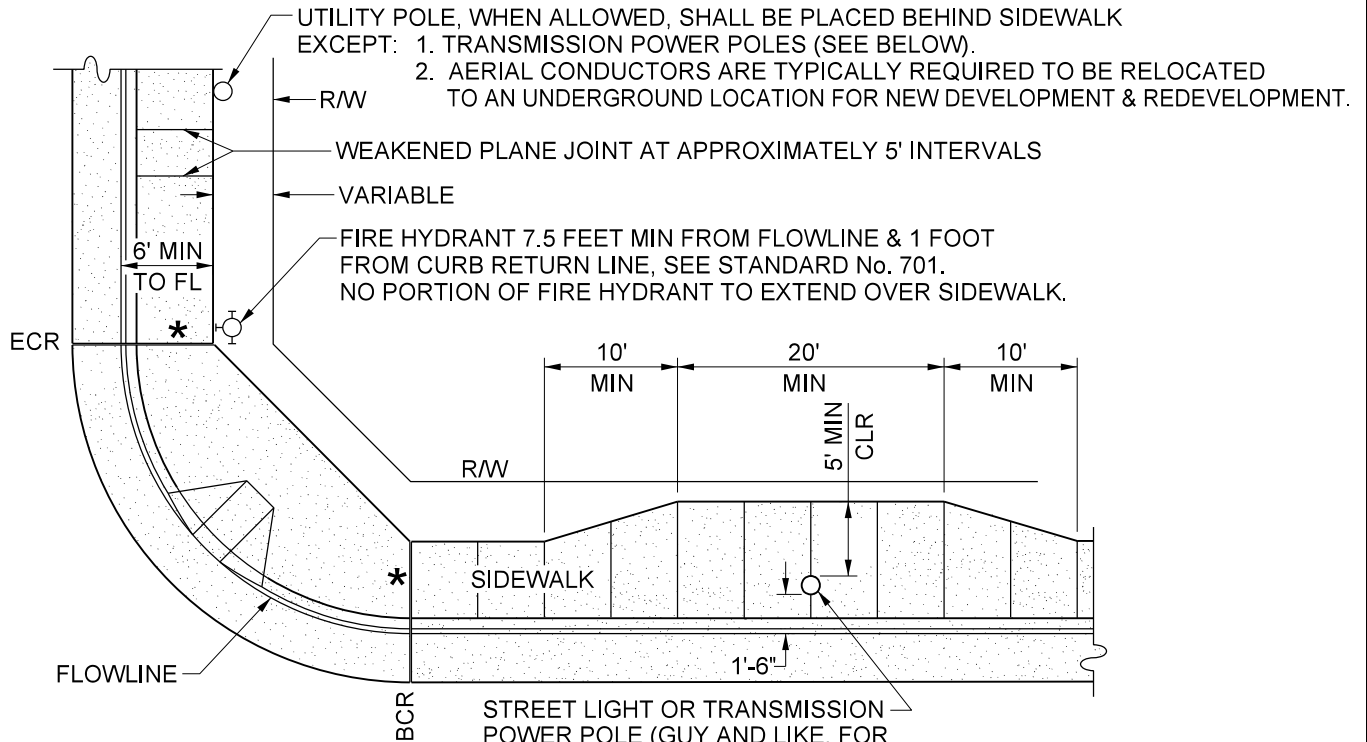


NOTES:

1. VARIABLE DISTANCES TO BE SHOWN ON APPLICABLE TYPICAL ROAD SECTION STANDARD.
2. CONSTRUCTION TO BE 4" MINIMUM THICKNESS CONCRETE WITH MINIMUM CEMENTITIOUS MATERIAL CONTENT = 505 LB / CU YD.

* 1/2" EXPANSION MATERIAL

SIDEWALK ON INSIDE OF KNUCKLE



UTILITY POLE, WHEN ALLOWED, SHALL BE PLACED BEHIND SIDEWALK EXCEPT: 1. TRANSMISSION POWER POLES (SEE BELOW). 2. AERIAL CONDUCTORS ARE TYPICALLY REQUIRED TO BE RELOCATED TO AN UNDERGROUND LOCATION FOR NEW DEVELOPMENT & REDEVELOPMENT.

FIRE HYDRANT 7.5 FEET MIN FROM FLOWLINE & 1 FOOT FROM CURB RETURN LINE, SEE STANDARD No. 701. NO PORTION OF FIRE HYDRANT TO EXTEND OVER SIDEWALK.

* 1/2" EXPANSION MATERIAL

- STREET LIGHT OR TRANSMISSION POWER POLE (GUY AND LIKE, FOR CIRCUITS THAT EXCEED 34kV):
1. FACE OF POLE SHALL BE PLACED 1'-6" BEHIND FLOWLINE.
 2. SIDEWALK WIDENING REQUIRED, SEE ABOVE.
 3. PREFERRED LOCATION IS BEHIND SIDEWALK (AS ABOVE), WHEN FEASIBLE

SIDEWALK AT INTERSECTION

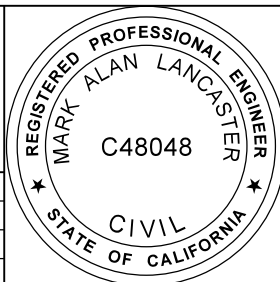
NOT TO SCALE

PREPARED UNDER THE SUPERVISION OF:

Mark Lancaster

11/30/22
DATE

DIRECTOR OF TRANSPORTATION
MARK LANCASTER, P.E.

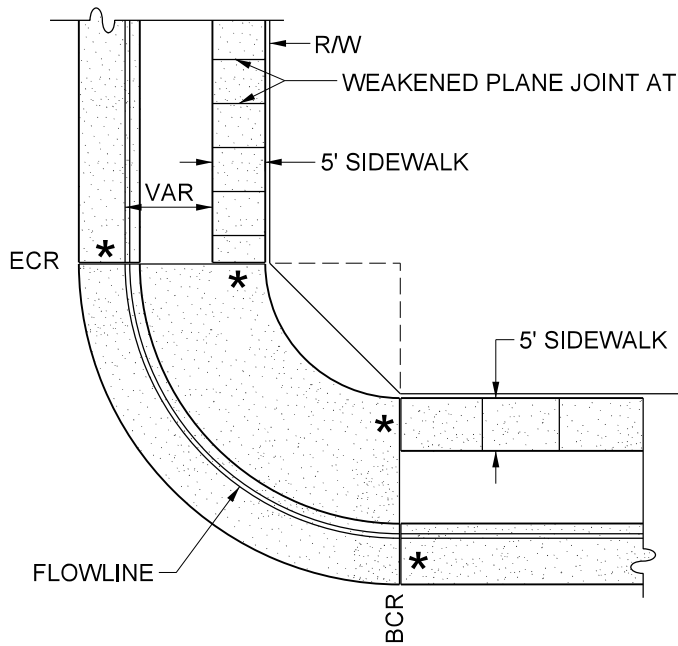


COUNTY OF RIVERSIDE

**SIDEWALK,
FIRE HYDRANT, &
UTILITY POLE LOCATION
(SIDEWALK AT CURB)**

STANDARD No. 400 (1 OF 2)

REVISION	DESCRIPTION	MARK	DATE	APPROVED

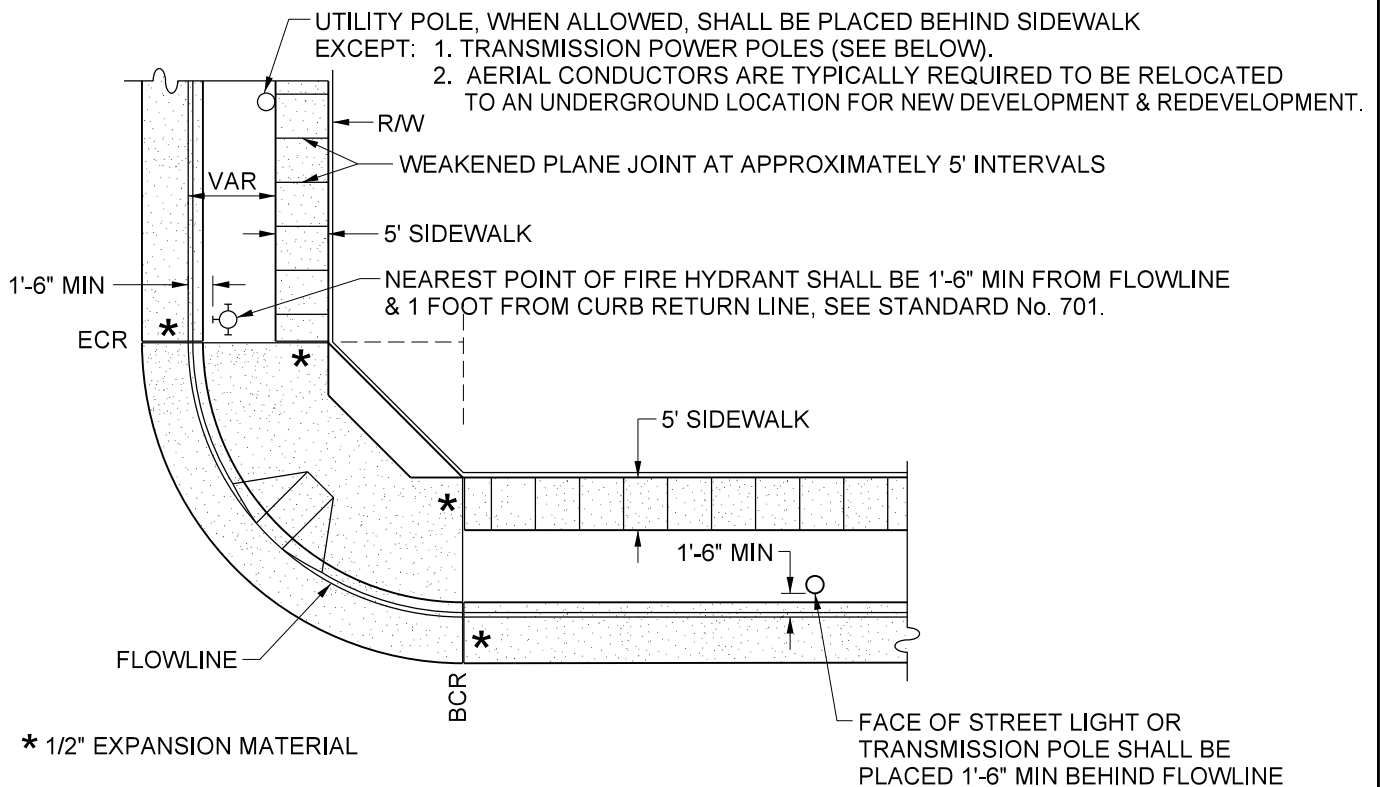


NOTES:

1. VARIABLE DISTANCES TO BE SHOWN ON APPLICABLE TYPICAL ROAD SECTION STANDARD.
2. CONSTRUCTION TO BE 4" MINIMUM THICKNESS CONCRETE WITH MINIMUM CEMENTITIOUS MATERIAL CONTENT = 505 LB / CU YD.

* 1/2" EXPANSION MATERIAL

SIDEWALK ON INSIDE OF KNUCKLE



* 1/2" EXPANSION MATERIAL

FACE OF STREET LIGHT OR TRANSMISSION POLE SHALL BE PLACED 1'-6" MIN BEHIND FLOWLINE

SIDEWALK AT INTERSECTION

NOT TO SCALE

PREPARED UNDER THE SUPERVISION OF:

Mark Lancaster

11/30/22
DATE

DIRECTOR OF TRANSPORTATION
MARK LANCASTER, P.E.



COUNTY OF RIVERSIDE

**SIDEWALK,
FIRE HYDRANT, &
UTILITY POLE LOCATION
(SIDEWALK AT R/W)**

STANDARD No. 400 (2 OF 2)

REVISION	DESCRIPTION	MARK	DATE	APPROVED