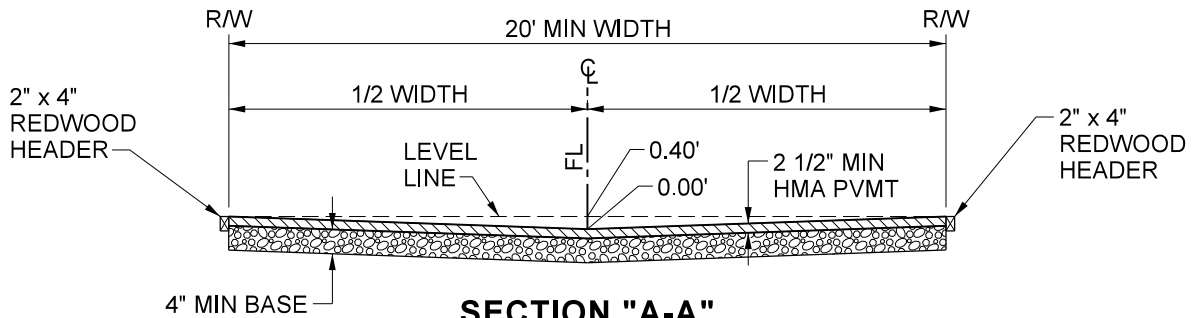
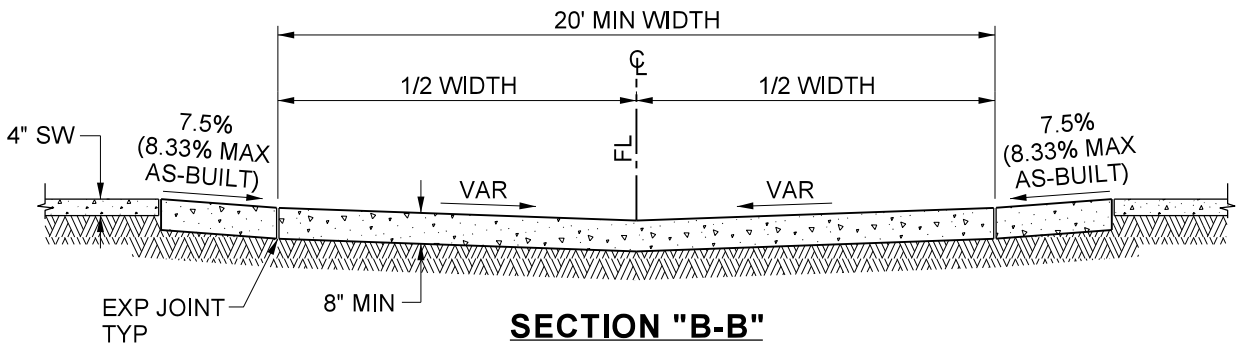


PLAN



SECTION "A-A"



SECTION "B-B"

NOTES:

1. ALLEY WIDTH AS SPECIFIED BY THE DIRECTOR OF TRANSPORTATION.
2. ALLEY APRON SHALL BE 8" THICK CONCRETE WITH MINIMUM CEMENTITIOUS MATERIAL CONTENT = 590 LB / CU FT.
3. WHEN ABUTTING SOIL HAS A HIGH SULFATE CONTENT, USE A MODIFIED CONCRETE MIX AND PLACE 6" MIN CLASS 2 AGGREGATE BASE AND 6 MIL PLASTIC SHEETING UNDER AND AROUND ALL SIDES OF CONCRETE IMPROVEMENTS. FOR EXPANSIVE SOIL, PLACE 6" MIN CLASS 2 AGGREGATE BASE UNDER CONCRETE IMPROVEMENTS AS DIRECTED BY THE ENGINEER. SEE SPECIFICATIONS SECTIONS 16.03 & 16.04 AND STANDARD No. 401 FOR REFERENCE.
4. RELATIVE COMPACTION OF SUBGRADE SHALL BE 95% MIN.

NOT TO SCALE

PREPARED UNDER THE SUPERVISION OF:

Mark Lancaster

11/30/22

DIRECTOR OF TRANSPORTATION
MARK LANCASTER, P.E.

DATE



COUNTY OF RIVERSIDE

**ALLEY AND
ALLEY APRON SECTIONS**

STANDARD No. 500

REVISION	DESCRIPTION	MARK	DATE	APPROVED