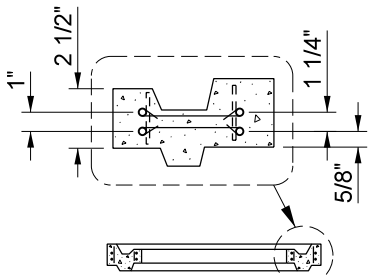
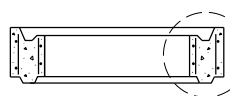


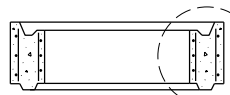
NOTE:
 CONCRETE MINIMUM
 CEMENTITIOUS MATERIAL
 CONTENT = 590 LB / CU YD.



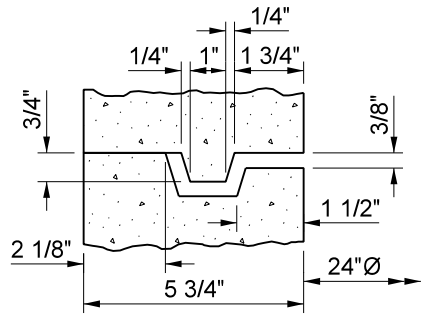
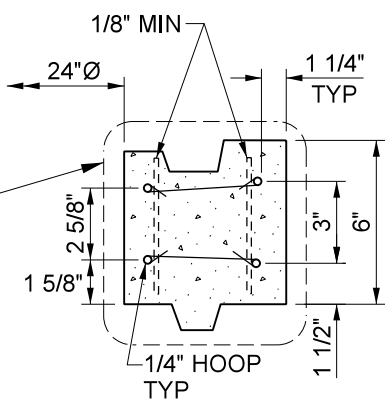
24" x 2 1/2" GRADE RING



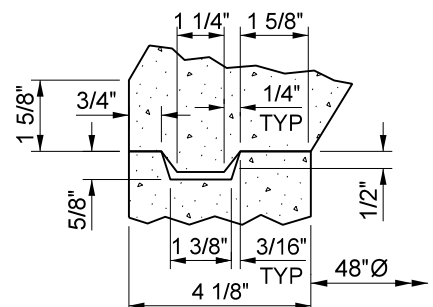
24" x 6" GRADE RING



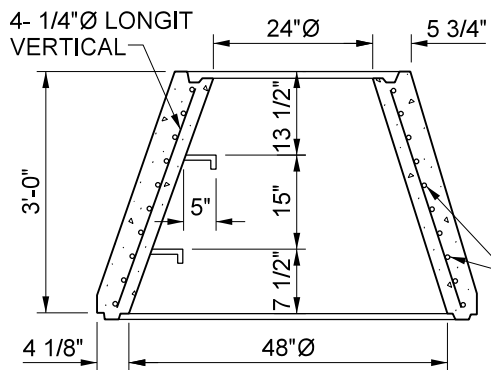
24" x 8" GRADE RING



JOINT DETAIL "A"

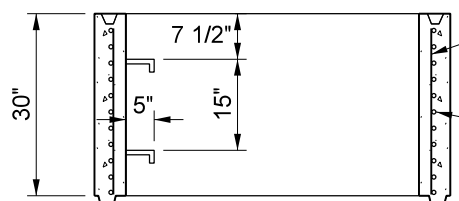


JOINT DETAIL "B"



48" x 24" CONCENTRIC CONE

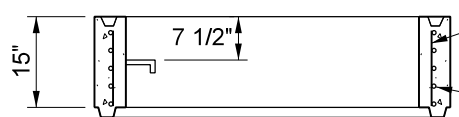
10 COILS 1/4" Ø
 HORIZ



48" x 30" MANHOLE PIPE

3 PAIR 1/4" Ø
 LONGIT

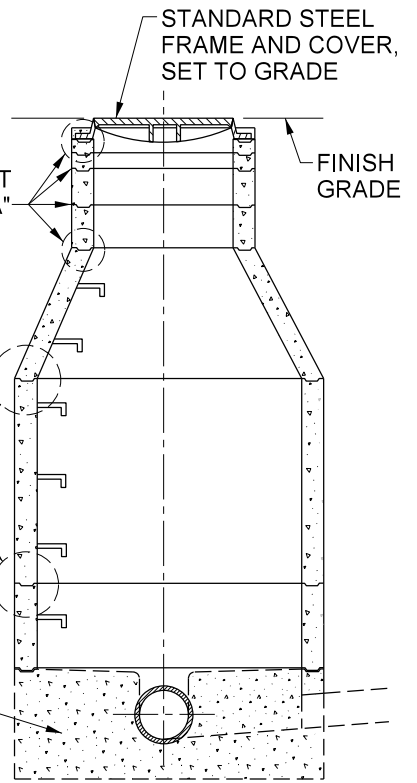
11 COILS 1/4" Ø



48" x 15" MANHOLE PIPE

3 PAIR 1/4" Ø
 LONGIT

5 COILS 1/4" Ø



TYPICAL SECTION

NOTE: REINFORCEMENT SHOWN IS TYPICAL; ALTERNATE SYSTEMS SUBJECT TO APPROVAL.

NOT TO SCALE

PREPARED UNDER THE SUPERVISION OF:

Mark Lancaster

11/30/22
 DATE

DIRECTOR OF TRANSPORTATION
 MARK LANCASTER, P.E.



COUNTY OF RIVERSIDE

**PRE-CAST
 CONCRETE MANHOLE
 (CONCENTRIC)**

STANDARD No. 607

REVISION	DESCRIPTION	MARK	DATE	APPROVED