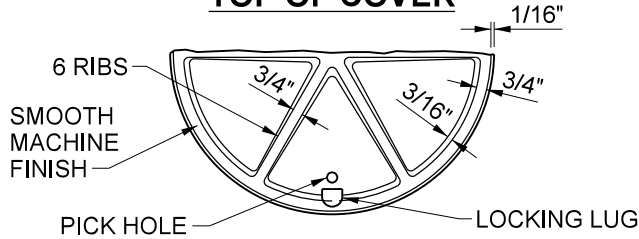
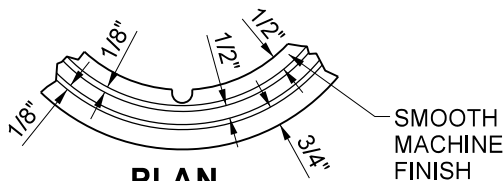


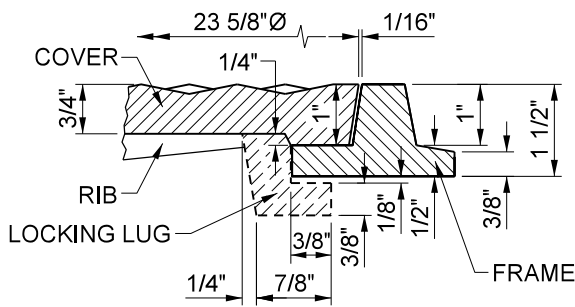
**PLAN
TOP OF COVER**



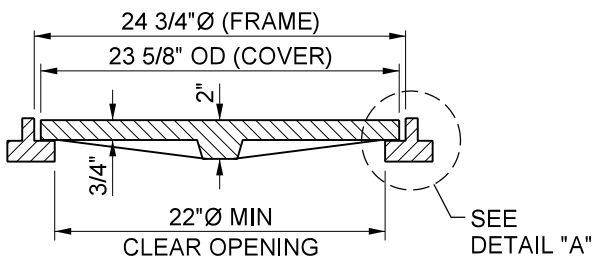
**PLAN
BOTTOM OF COVER**



**PLAN
PORTION OF FRAME**



DETAIL "A"



**SECTION - FRAME AND COVER
PARKWAY**

TOTAL WEIGHT - APPROX 130 LBS.
ALL METAL TO BE HOT-DIP GALVANIZED.

NOT TO SCALE

PREPARED UNDER THE SUPERVISION OF:

Mark Lancaster

11/30/22

DIRECTOR OF TRANSPORTATION
MARK LANCASTER, P.E.

DATE

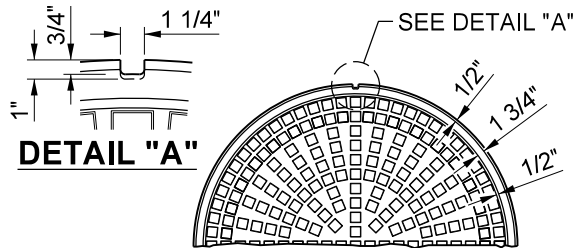
REVISION	DESCRIPTION	MARK	DATE	APPROVED



COUNTY OF RIVERSIDE

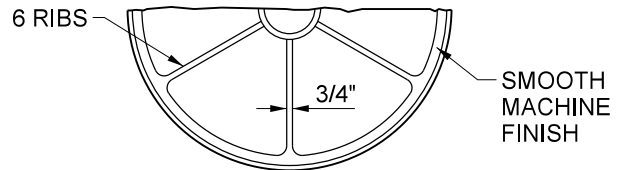
**MANHOLE FRAMES
AND COVERS**

STANDARD No. 608

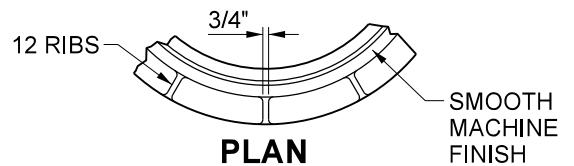


DETAIL "A"

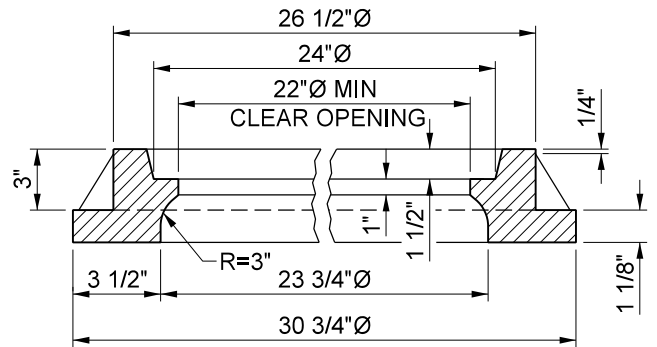
**PLAN
TOP OF COVER**



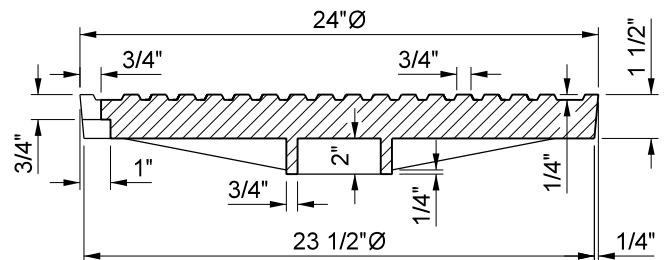
**PLAN
BOTTOM OF COVER**



**PLAN
PORTION OF FRAME**



SECTION - FRAME



**SECTION - COVER
ROADWAY**

TOTAL WEIGHT - APPROX 380 LBS.
ALL METAL TO BE HOT-DIP GALVANIZED.