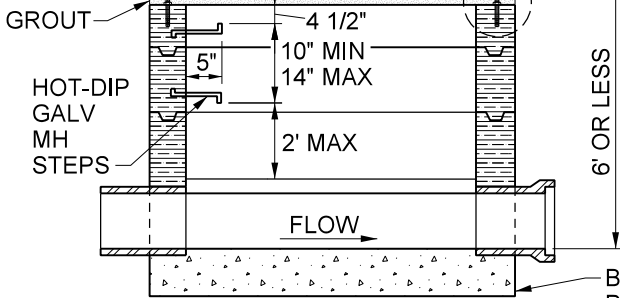


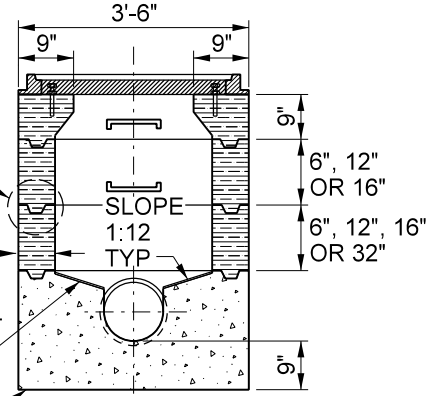
ADJUSTING SCREW DETAIL

FRAME AND COVER PER STANDARD No. 611



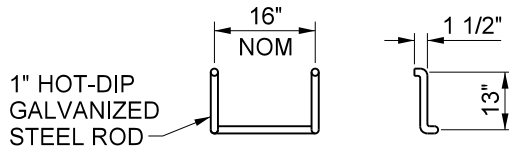
VIEW "A-A"

SEE ADJUSTING SCREW DETAIL
SEE JOINT DETAIL



VIEW "B-B"

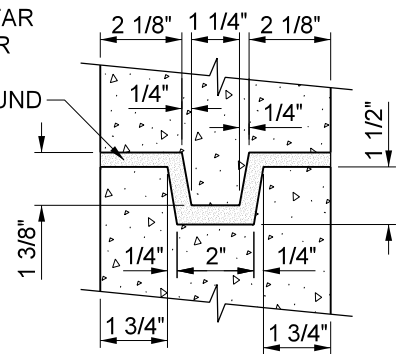
BASE AND CHANNELS
POURED MONOLITHICALLY



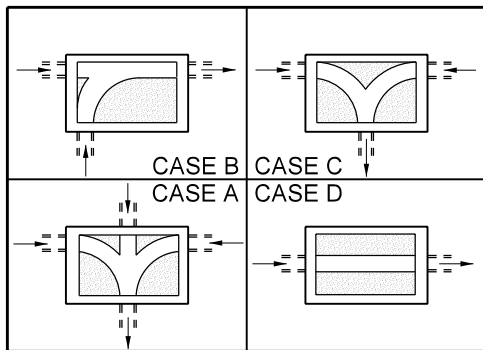
DROP STEP DETAIL

PRECAST OR GROUT STEPS INTO PLACE AS SHOWN IN SECTIONAL ELEVATION.

CONCRETE MORTAR
3/8" THICK MAX OR
APPROVED JOINT
SEALING COMPOUND



JOINT DETAIL



ALTERNATE PLACEMENT OF CHANNELS

NOTES:

1. CONCRETE FOR ALL PRECAST UNITS SHALL BE THOROUGHLY VIBRATED IN FORMS. IT SHALL BE CURED ACCORDING TO APPROVED PRACTICE EITHER BY STEAM, SPRINKLING, MEMBRANE SOLUTION, OR A COMBINATION OF THESE. IT SHALL DEVELOP 3500 PSI OR GREATER IN 28 DAYS. CONCRETE WITH MINIMUM CEMENTITIOUS MATERIAL CONTENT = 590 LB / CU YD.
2. CONCRETE MINIMUM CEMENTITIOUS MATERIAL CONTENT = 590 LB / CU YD. ALL FIELD POURED CONCRETE SHALL BE ALLOWED TO SET 24 HOURS BEFORE PLACING PRECAST UNITS.
3. ALL PRECAST UNITS SHALL BE REINFORCED FOR HS-20 BRIDGE LOADING.
4. TO BE USED FOR DEPTHS LESS THAN 5' FROM MANHOLE TOP TO SEWER PIPE SHELF.

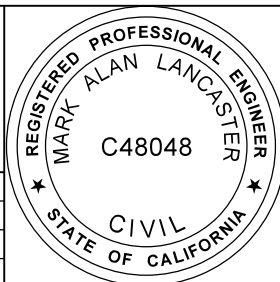
NOT TO SCALE

PREPARED UNDER THE SUPERVISION OF:

Mark Lancaster

11/30/22
DATE

DIRECTOR OF TRANSPORTATION
MARK LANCASTER, P.E.



COUNTY OF RIVERSIDE

**PRECAST
RECTANGULAR
SHALLOW MANHOLE**

STANDARD No. 610

REVISION	DESCRIPTION	MARK	DATE	APPROVED