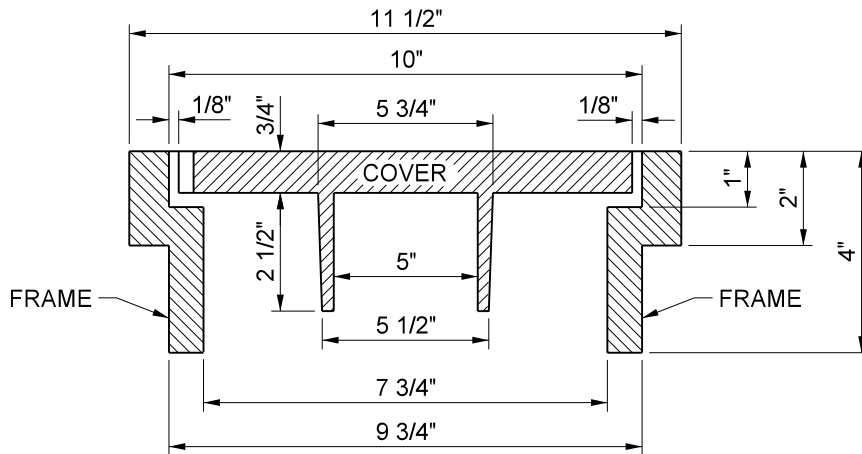


3/8" RADIUS NOTCH

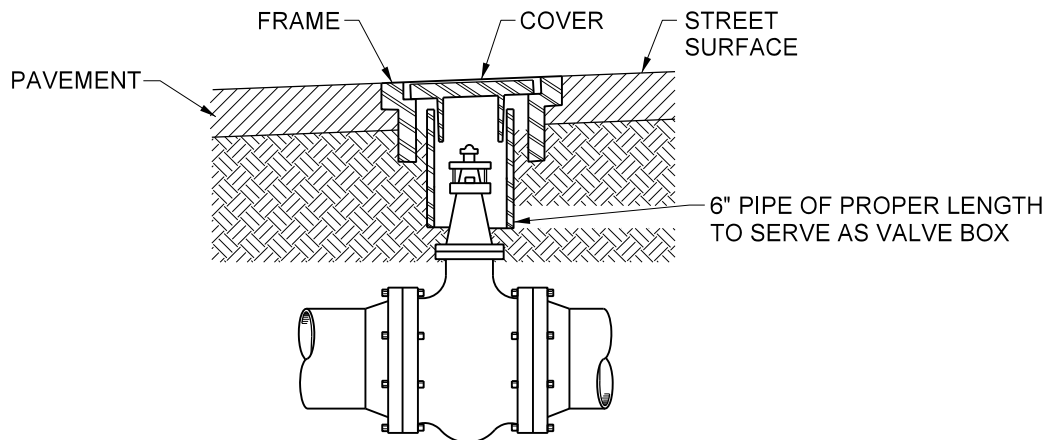


1/2 PLAN OF COVER
HOT-DIP GALVANIZED STEEL

1/2 PLAN OF FRAME
HOT-DIP GALVANIZED STEEL



SECTION "A-A"



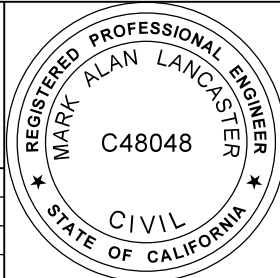
NOT TO SCALE

PREPARED UNDER THE SUPERVISION OF:

Mark Lancaster

11/30/22
DATE

DIRECTOR OF TRANSPORTATION
MARK LANCASTER, P.E.



COUNTY OF RIVERSIDE

**VALVE BOX, FRAME
AND COVER**

STANDARD No. 703

REVISION DESCRIPTION	MARK	DATE	APPROVED