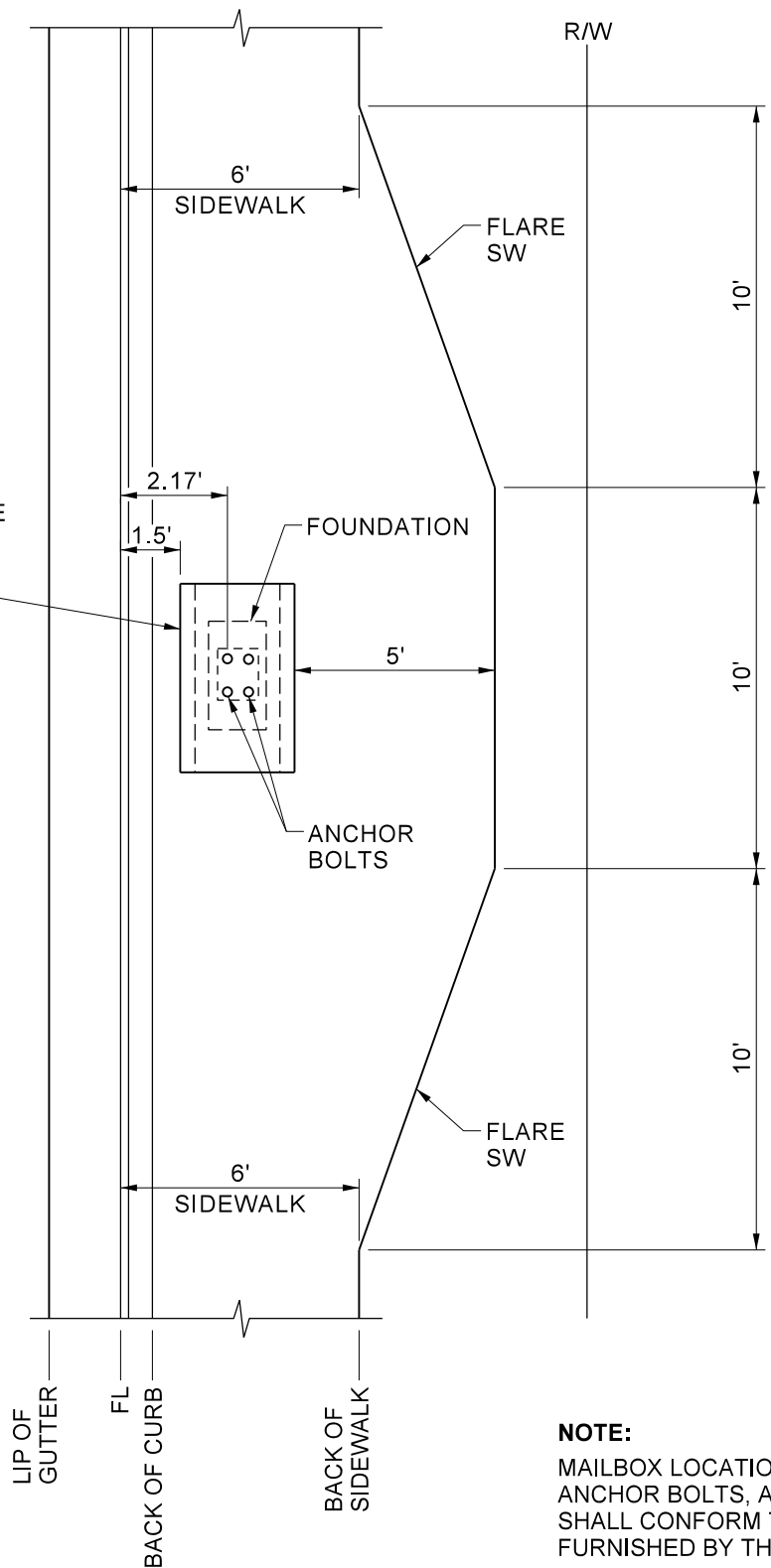


MULTIPLE MAILBOX TO MEET REQUIREMENTS OF U.S. POSTAL SERVICE AND BE FURNISHED BY PRIVATE OWNER (NOT COUNTY MAINTAINED)



**NOTE:**  
MAILBOX LOCATION, FOUNDATION ANCHOR BOLTS, AND BOLT HOLES SHALL CONFORM TO SPECIFICATIONS FURNISHED BY THE POSTMASTER.

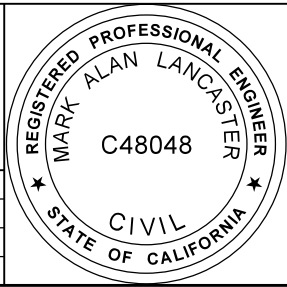
NOT TO SCALE

PREPARED UNDER THE SUPERVISION OF:

*Mark Lancaster*

11/30/22  
DATE

DIRECTOR OF TRANSPORTATION  
MARK LANCASTER, P.E.



COUNTY OF RIVERSIDE

**MULTIPLE MAILBOX  
INSTALLATION FOR  
NEW SIDEWALK**

**STANDARD No. 812**

REVISION	DESCRIPTION	MARK	DATE	APPROVED