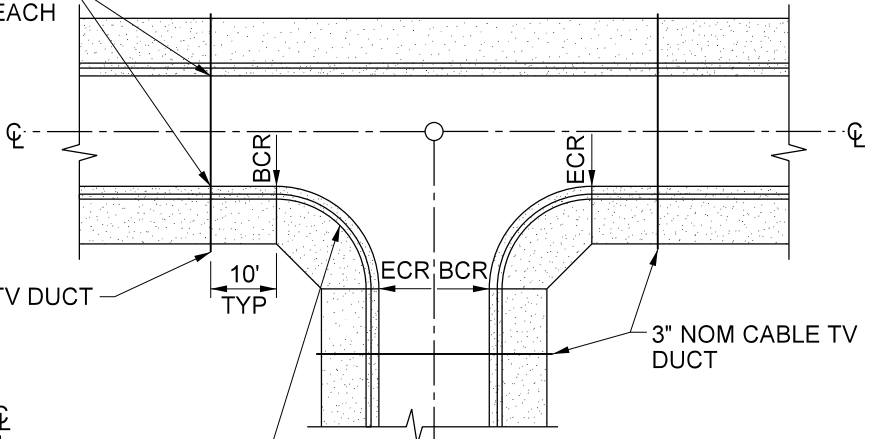


STAMP "TV" IN 3" LETTERS
IN FACE OF CURB AT EACH
CONDUIT LOCATION



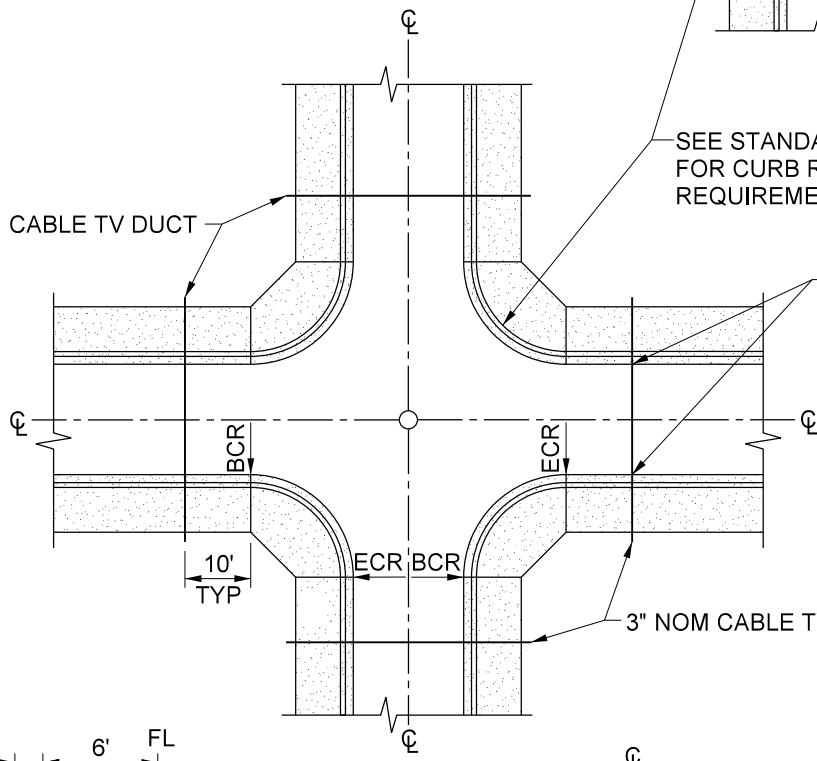
3" NOM CABLE TV DUCT

3" NOM CABLE TV DUCT

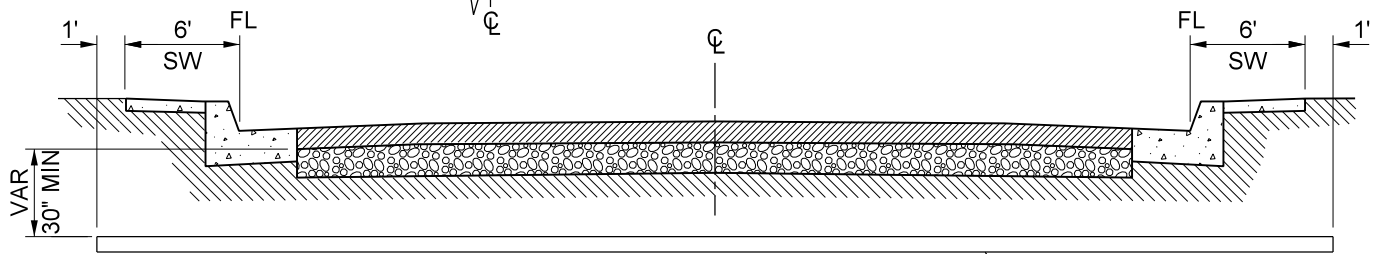
SEE STANDARD No. 805
FOR CURB RETURN RADIUS
REQUIREMENTS.

3" NOM CABLE TV DUCT

STAMP "TV" IN 3" LETTERS
IN FACE OF CURB AT EACH
CONDUIT LOCATION



3" NOM CABLE TV DUCT



TYPICAL CROSS SECTION

3" NOM CABLE TV DUCT

NOTE:

- 3" NOM CABLE TV DUCTS SHALL BE SCHEDULE 80 PVC, RIGID GALVANIZED STEEL CONDUITS, OR APPROVED EQUAL.

NOT TO SCALE

PREPARED UNDER THE SUPERVISION OF:				
<i>Mark Lancaster</i>			11/30/22	
DIRECTOR OF TRANSPORTATION			DATE	
MARK LANCASTER, P.E.				
REVISION	DESCRIPTION	MARK	DATE	APPROVED



COUNTY OF RIVERSIDE

**LOCATION OF CABLE TV
DUCTS AT
STREET INTERSECTIONS**

STANDARD No. 819