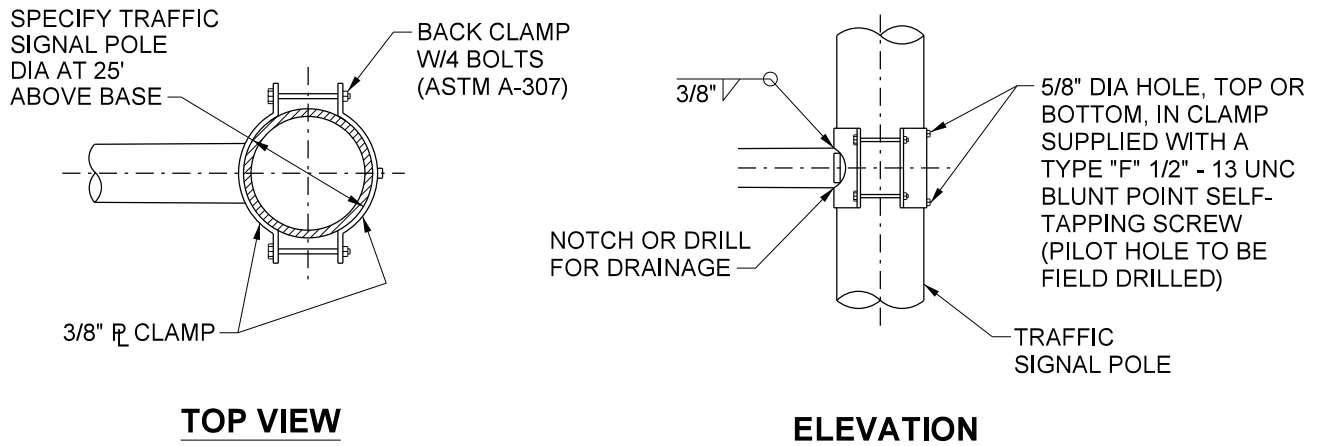


10' IISNS STRAIGHT MAST ARM MOUNTING DETAIL

NOTE:
SIGN LOCATION MAY VARY DEPENDING
ON HEIGHT OF SIGNAL MAST ARM.



CLAMP DETAIL

NOT TO SCALE

PREPARED UNDER THE SUPERVISION OF:

Mark Lancaster

11/30/22
DATE

DIRECTOR OF TRANSPORTATION
MARK LANCASTER, P.E.



COUNTY OF RIVERSIDE

**IISNS MAST ARM
DETAIL**

STANDARD No. 1200

REVISION	DESCRIPTION	MARK	DATE	APPROVED