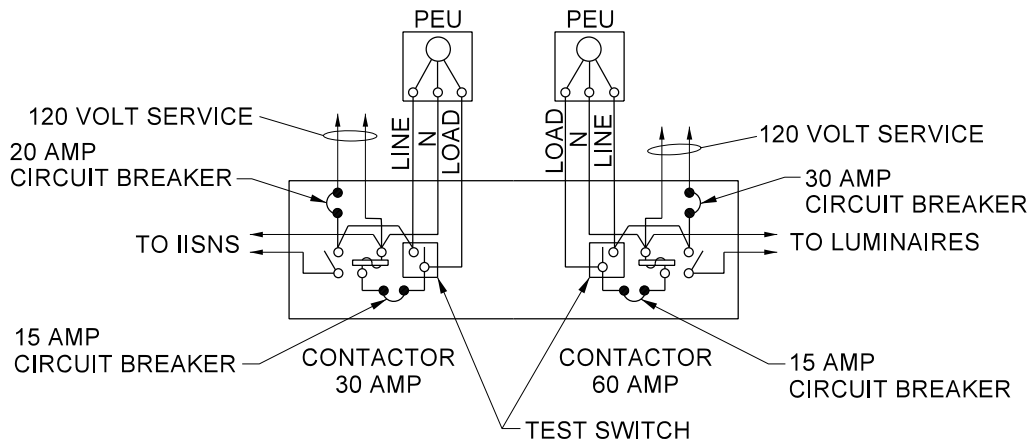
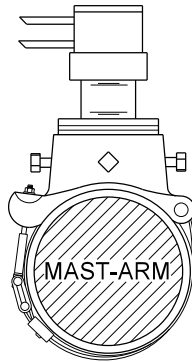


STRAIGHT LUMINAIRE MAST ARM DETAIL



DUAL PEC WIRING DIAGRAM



MOUNTING CLAMP FOR EVP OPTICAL DETECTOR

NOT TO SCALE

PREPARED UNDER THE SUPERVISION OF:

Mark Lancaster

11/30/22
DATE

DIRECTOR OF TRANSPORTATION
MARK LANCASTER, P.E.

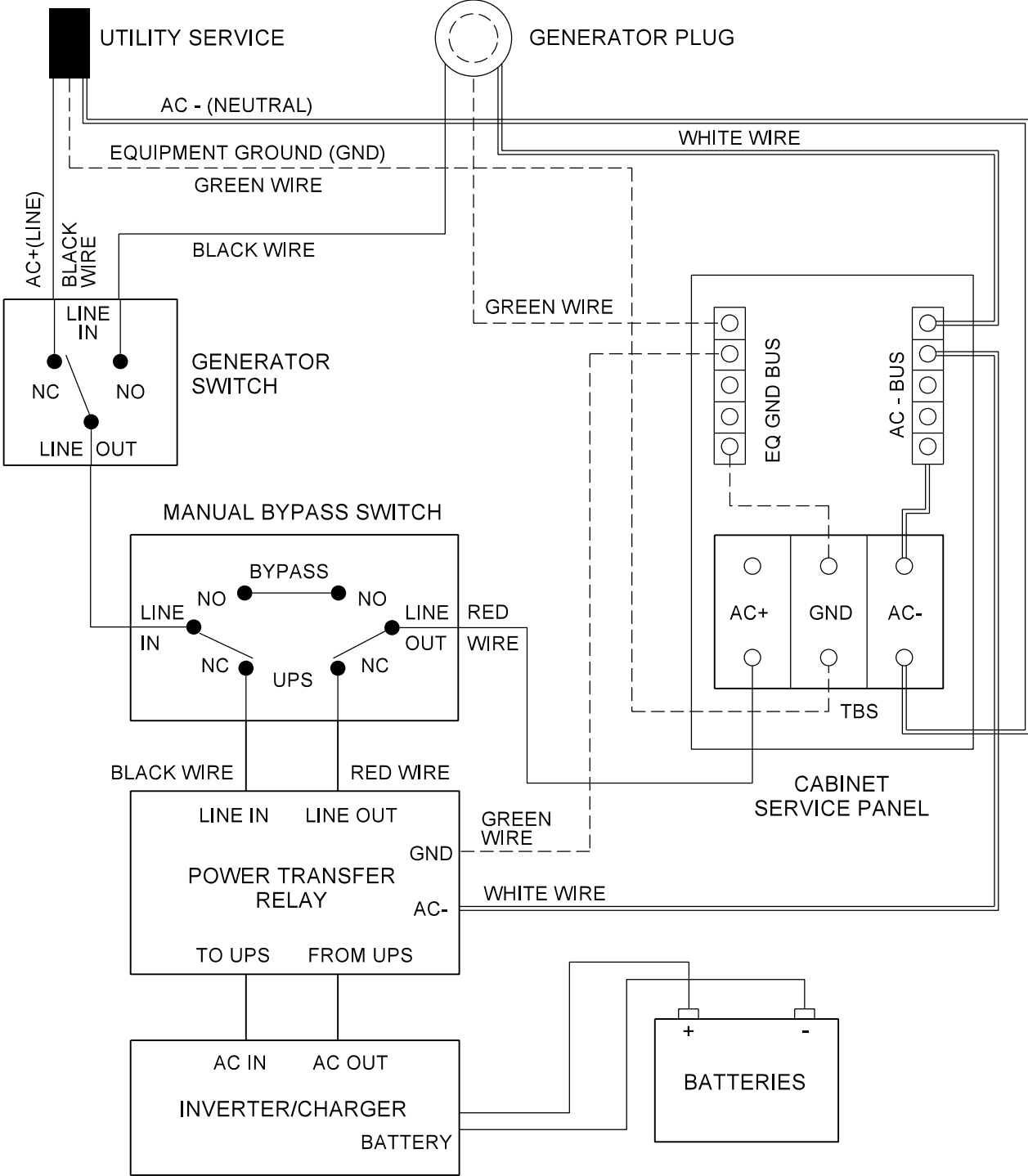


COUNTY OF RIVERSIDE

**TRAFFIC SIGNAL
DETAIL**

STANDARD No. 1202 (1 OF 3)

REVISION	DESCRIPTION	MARK	DATE	APPROVED



BATTERY BACKUP SYSTEM SCHEMATIC DIAGRAM

NOT TO SCALE

PREPARED UNDER THE SUPERVISION OF:

Mark Lancaster

11/30/22
DATE

DIRECTOR OF TRANSPORTATION
MARK LANCASTER, P.E.

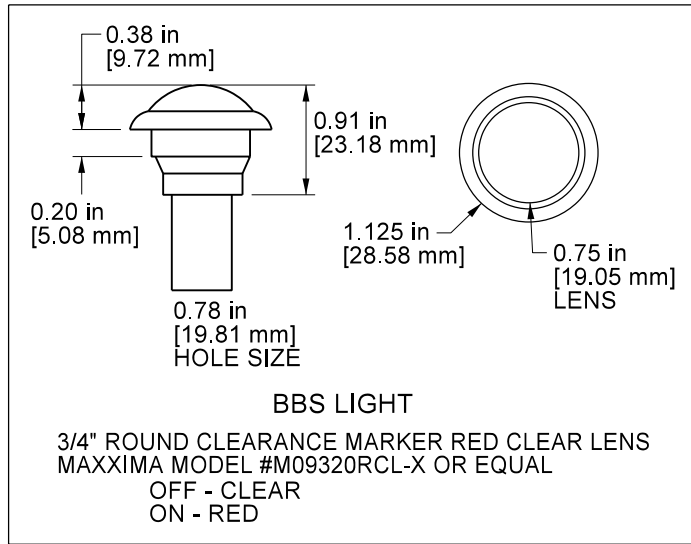
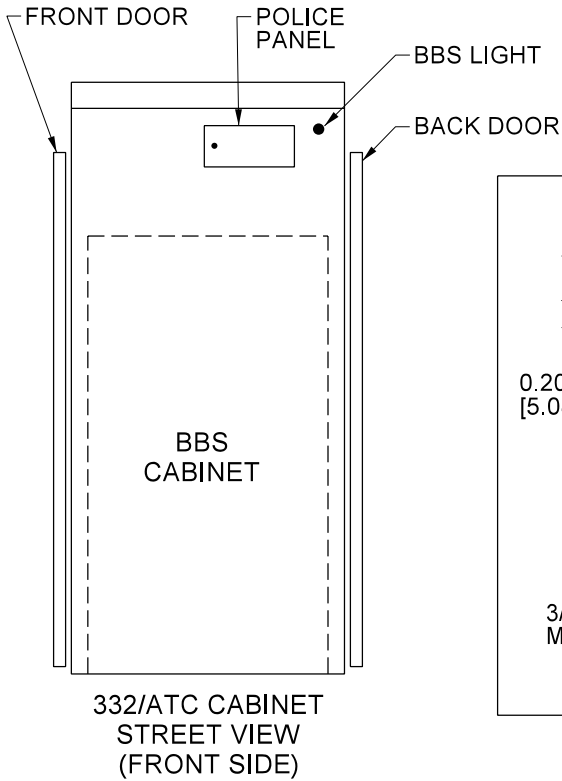
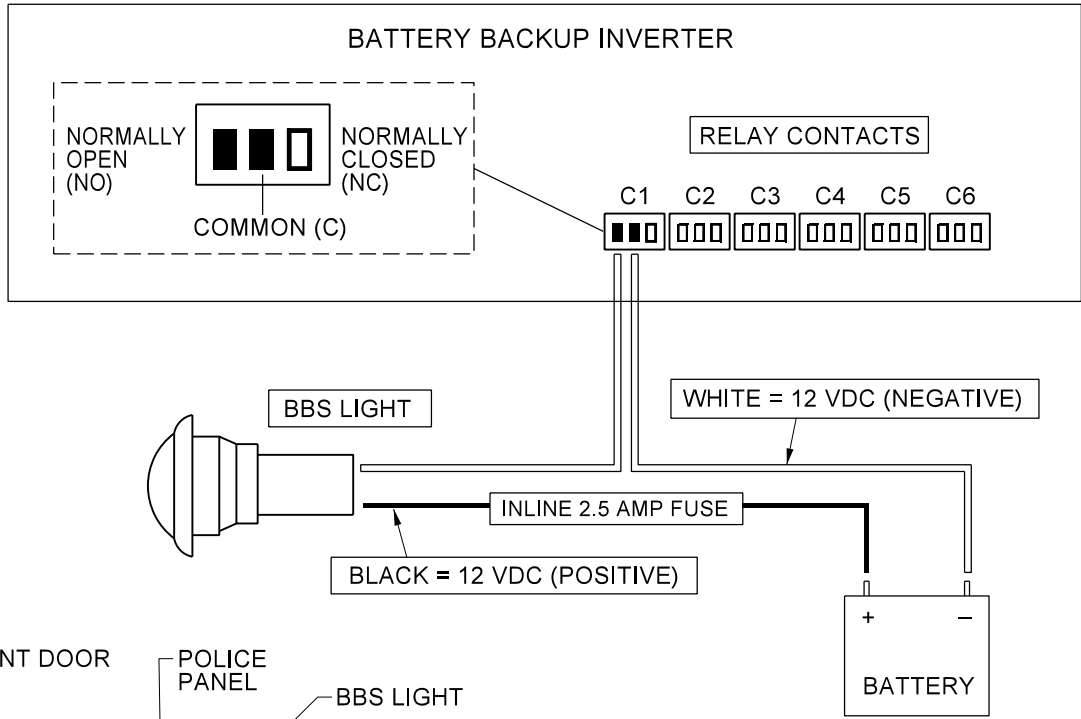


COUNTY OF RIVERSIDE

**TRAFFIC SIGNAL
DETAIL**

REVISION	DESCRIPTION	MARK	DATE	APPROVED

STANDARD No. 1202 (2 OF 3)



BATTERY BACKUP SYSTEM (BBS) LIGHT

NOT TO SCALE

PREPARED UNDER THE SUPERVISION OF:

Mark Lancaster

11/30/22
DATE

DIRECTOR OF TRANSPORTATION
MARK LANCASTER, P.E.



COUNTY OF RIVERSIDE

**TRAFFIC SIGNAL
DETAIL**

STANDARD No. 1202 (3 OF 3)

REVISION	DESCRIPTION	MARK	DATE	APPROVED